

The  
**STRAINRITE**  
Companies  
World Class Filtration

*Vessel Catalog*



# SCIENCE, SERVICE, STRAINRITE



## Quality Vessels

We manufacture a variety of standard design vessels to handle flow rates between 5 and 5,000 gpm at pressure ratings ranging from 75 to 3,000 psi. For special system requirements, our engineers will custom design a system to meet your needs. Strainrite vessels are fabricated from the highest quality materials and conform to strict quality standards. Materials of construction include Carbon Steel, 304, 316, Duplex Stainless, Alloy C 276, Alloy 20, and Titanium.

## Assurance Testing

At Strainrite, we believe in Science and Service. All Strainrite vessels are manufactured in a 3<sup>rd</sup> party certified ISO9001:2008 compliant facility and are hydrostatically tested in accordance with industry accepted standards. We also offer special quality assurance tests which include X-ray, Magnetic Particle, Liquid Penetrant, Ultra-sonic and Brinell hardness testing.

## Long-term Partnership

Our consultative selling approach focuses on custom solutions to filtration problems. We commit the time and resources to tailor our products to our clients' unique requirements.

By working with us, our clients realize:

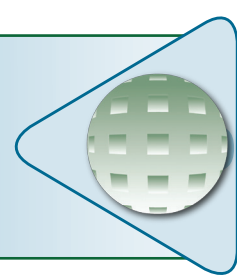
- Innovative solutions
- Operational cost savings
- Improved process efficiency
- Enhanced finished product quality
- Reduced waste costs
- Finished validated products are integrity tested by air diffusion

Our technical and scientific staff works closely with our clients during the validation process.

The focus of this support is to offer technical advice on developing effective protocols and experimental testing parameters to assure predictable and repeatable output results.



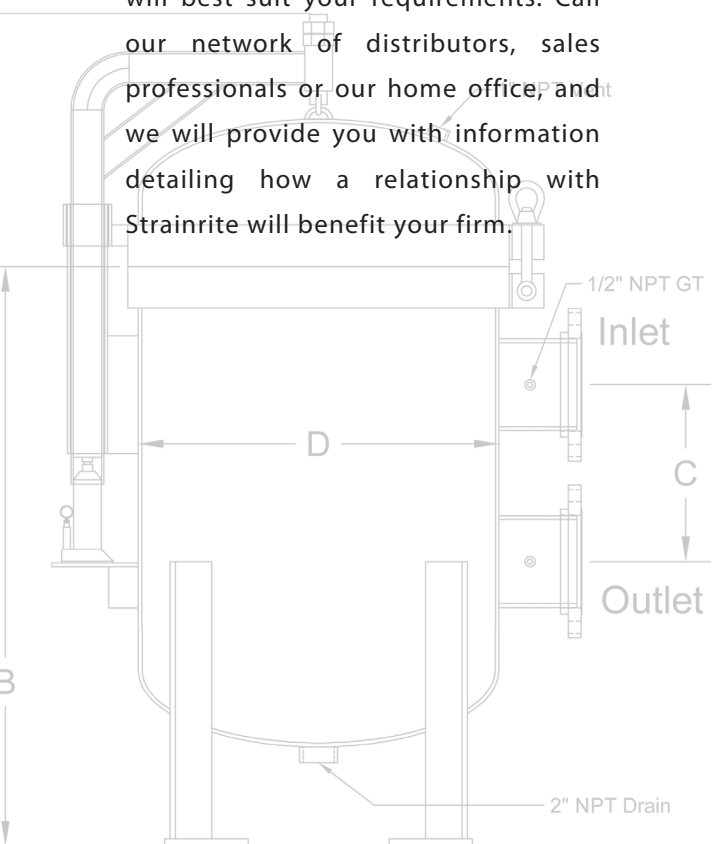
*Since 1978, The Strainrite Companies have designed and manufactured leading-edge filtration products for a variety of industries worldwide. Our commitment to innovative and environmentally sound solutions is second to none. The Strainrite Companies has locations in Maine, Michigan and California. Distributors are located throughout North America, as well as Europe and the Far East. The combined capabilities and approvals in automotive, paints, coatings, adhesives, plating, inks and chemicals make The Strainrite Companies a great choice for your filtration partner!*



## Quality Vessels

We specialize in the manufacture of filtration equipment, Clarity™ Pleated Filter Cartridges and liquid filter bags. As we encounter new and evolving applications, we respond with innovative, application-specific solutions. Extensive research and development, coupled with stringent quality control standards, provides our clients with consistent, reliable filtration products.

Our field sales professionals and distributors, in conjunction with our technical support engineers, will work with you to assess what Strainrite product, service, or combination will best suit your requirements. Call our network of distributors, sales professionals or our home office, and we will provide you with information detailing how a relationship with Strainrite will benefit your firm.



## TABLE OF CONTENTS

### I. Single Bag Vessels

- 1.0 **SRVB** *Value Design Bag Vessels*
- 2.0 **SRID** *Industrial Duty Bag Vessels*
- 3.0 **SRHD** *Heavy Duty Bag Vessels*
- 4.0 **SRX** *“X-Tra Seal” Vessels*
- 5.0 **SRL** *Low Flow Vessels*

### II. Multi-Bag/Multi-Housing Vessels

- 6.0 **SRVB MULTI** *Value Design Bag Vessels*
- 7.0 **SRID TWIN/DUPLEX** *Industrial Duty Bag Vessels*
- 8.0 **SRHD TWIN/DUPLEX** *Heavy Duty Bag Vessels*
- 9.0 **SRMX** *“X-Tra Seal” Vessels*
- 10.0 **SRMS SERIES** *Manifold System*
- 11.0 **SRMB SERIES** *Multi-Basket Vessels*

### III. Single Cartridge Vessels

- 12.0 **SRVC** *Value Design Cartridge Vessels*
- 13.0 **SRC** *Industrial Duty Cartridge Vessels*
- 14.0 **SRCT** *Sanitary Cartridge Vessel*

### IV. Multi-Cartridge/Multi-Housing Vessels

- 15.0 **SRVC MULTI** *Value Design Cartridge Vessels*
- 16.0 **SRC MULTI** *Industrial Duty Cartridge Vessels*
- 17.0 **SRCT MULTI** *Sanitary Cartridge Vessel*

### V. Large Diameter Cartridge Housing

- 18.0 **SMF & HSMF** *for MAXX Flow & High Flow*

# SRVB

## STRAINRITE VALUE DESIGN VESSELS

1.0

The SRVB Value Design vessels provide economical filtration of a wide variety of liquids in a lightweight, externally polished stainless steel design, with features including a swing bolt secured, quick opening cover and an internal positive pressure bag hold-down device. The SRVB vessels accommodate one standard #2 bag. These vessels are manufactured from polished and passivated 304 stainless steel and rated for 150 psi (10.3 bar). For added corrosion resistance, all cover bolt and leg mounting hardware is made from stainless steel as well.

### FEATURES & BENEFITS

- Swing bolted o-ring closure seal provides quick & positive seal with easy access to the vessel interior and filter bag
- Both FNPT threaded and ANSI B16.5 flanged connections are available in specific models
- NPT option offers dual 2" outlet ports on bottom and side locations
- EPDM seals are standard with other material options available
- Standard threaded FNPT vent & drains
- Standard stainless steel closure bolt hardware
- Polished exterior & pickle passivate interior/ exterior for enhanced corrosion resistance
- Mounting legs are adjustable, providing flexibility for installation height and orientation



## SPECIFICATIONS

Max. Allowable Pressure	150 psi (10.3 bar)
Max. Allowable Temperature	300°F (149°C)

## APPLICATIONS

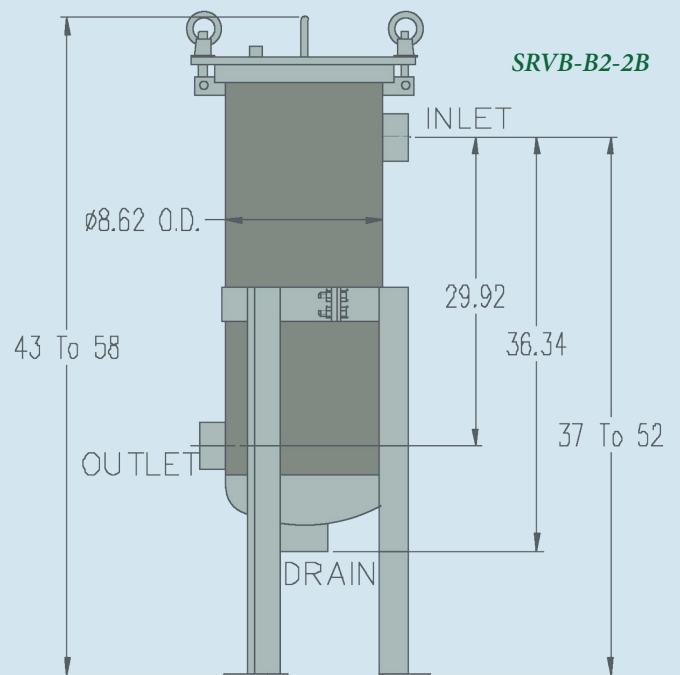
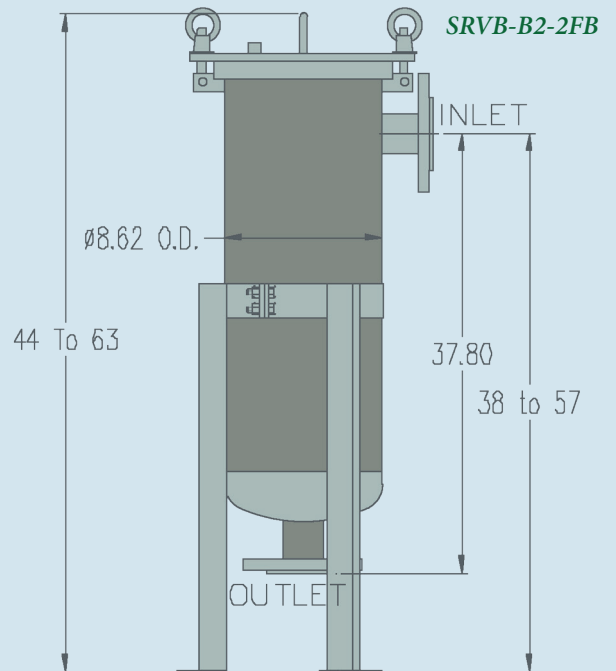
- Potable Water
- Lubricants
- Process Water
- Coolants
- Cutting oils
- Coatings
- Solvents

## ORDERING INFORMATION

Example:

<b>Series</b>	SRVB - Strainrite Value Design Vessel	SRVB
<b>Material</b>	B - 304 Stainless Steel	-B
<b>Bag Size</b>	2 - #2 size bag	2
<b>Inlet/Outlet</b>	2 - 2" NPT 2F - 2" RFF	-2
<b>O-ring Material</b>	B - Buna N E - EPDM V - Fluorocarbon	B

SRVB-B2-2B



# SRID

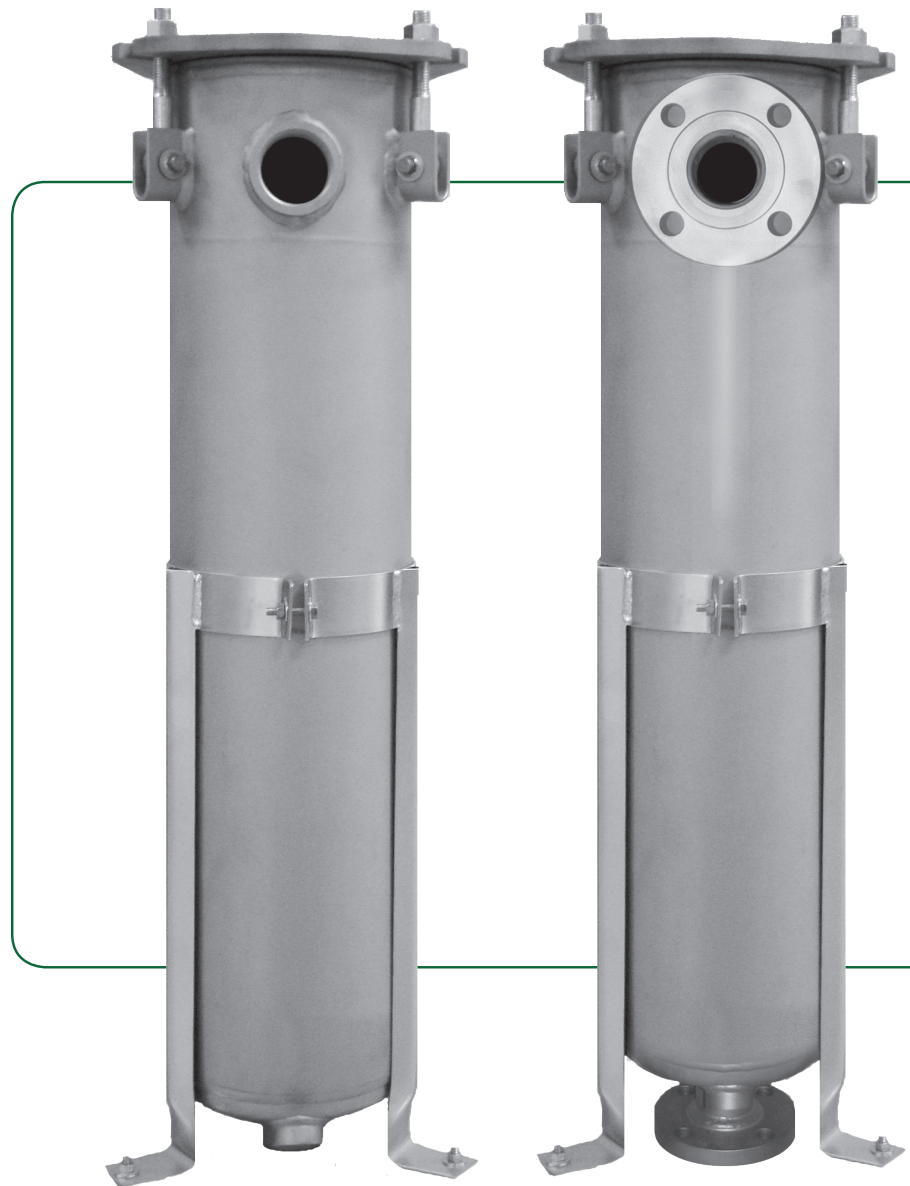
## STRAINRITE INDUSTRIAL DUTY VESSELS

2.0

The **SRID** series incorporates our unique radial seal design that provides a hermetic seal between the basket and vessel. Utilizing a radial seal with our retainer baskets eliminates “basket rocking”, which causes bypass as the basket becomes out of round. “Basket rocking” is common in low cost bag vessels that do not incorporate an O-ring seal and can cause unfiltered liquid bypass. The Strainrite Companies’ **SRID**, with a radial seal, has a machined surface that produces a positive seal to eliminate bypass.

The Strainrite Companies is known for developing some of the industry’s most advanced designed filter bags and hybrid cartridge elements on the market. These high efficiency filter bags and elements require a vessel that has a hermetically sealed top to fully capture all of the filters capabilities. The **SRID** is perfectly positioned to handle: standard bags, absolute rated filters and high efficiency large diameter pleated hybrid filters (Madd Maxx).

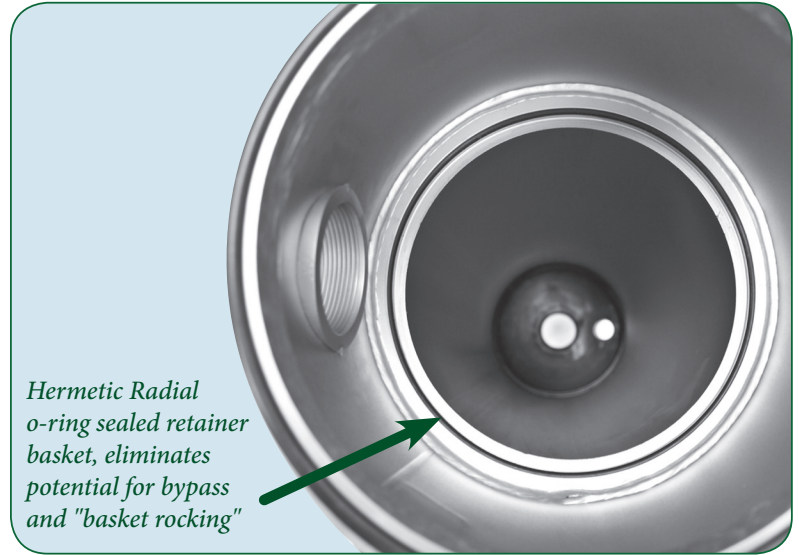
The **SRID** vessel line is raising the bar in the OEM market by delivering superior value in a cost-effective design.



# The Advanced Industrial Duty Filter Bag Housing

## FEATURES AND BENEFITS

- **Hermetic radial o-ring sealed retainer basket**  
*Eliminates potential for bypass and "basket rocking"*
- **1" Bottom Drain**  
*Allows for full evacuation of fluids*
- **Recessed basket design**  
*Reduces operator exposure to unfiltered liquid  
Less mess when making bag changes and no spillage of unfiltered liquids*
- **Side-inlet and Bottom-outlet**  
*Side-inlet allows for easy plumbing and cleaning of vessel  
Bottom-outlet maximizes down stream fluid recovery and reduces differential pressure across the vessel*
- **Adjustable tri-pod stand**  
*Offers flexibility when plumbing into an existing line*



## STANDARD DESIGN

- 2" NPT & RFF inlet and outlet connections
- 1/4" NPT vent port in lid
- 1" NPT bottom drain port
- 150 PSI design pressure
- Side-inlet bottom-outlet
- O-ring sealed cover
- Basket is Radial o-ring sealed
- Perforated retainer basket
- Adjustable height tri-pod stand

## OPTIONAL FEATURES

- Wire mesh basket
- Mesh lined baskets for straining application from 20 mesh to 200 mesh
- Side Outlet configuration
- 3" NPT or RFF connections
- Eye nut closure system
- Filter bag compression device

## ORDERING INFORMATION

		<i>Example:</i>
<b>Series</b>	SRID - Strainrite Industrial Duty Vessel	SRID
<b>Bag Size</b>	2 - #2 size bag	2
<b>Connections</b>	2, 3	2
<b>Connection Type</b>	Blank - NPT F - Flange	F
<b>Material of Construction</b>	A - Carbon Steel B - 304 Stainless Steel	A
<b>O-ring Materials</b>	B - Buna N E - EPDM S - Silicone V - Viton TV - FEP Encapsulated Fluorocarbon	B
<b>Options</b>	WMB - Wire Mesh Basket SO - Side Outlet - EN - Eye Nut EP - Electro Polish Finish MLB (20) - Mesh-Lined Basket CLH - Cover Lid Handle DPG - Differential Pressure Gauge Ports (2)	WMB

SRID22FABWMB

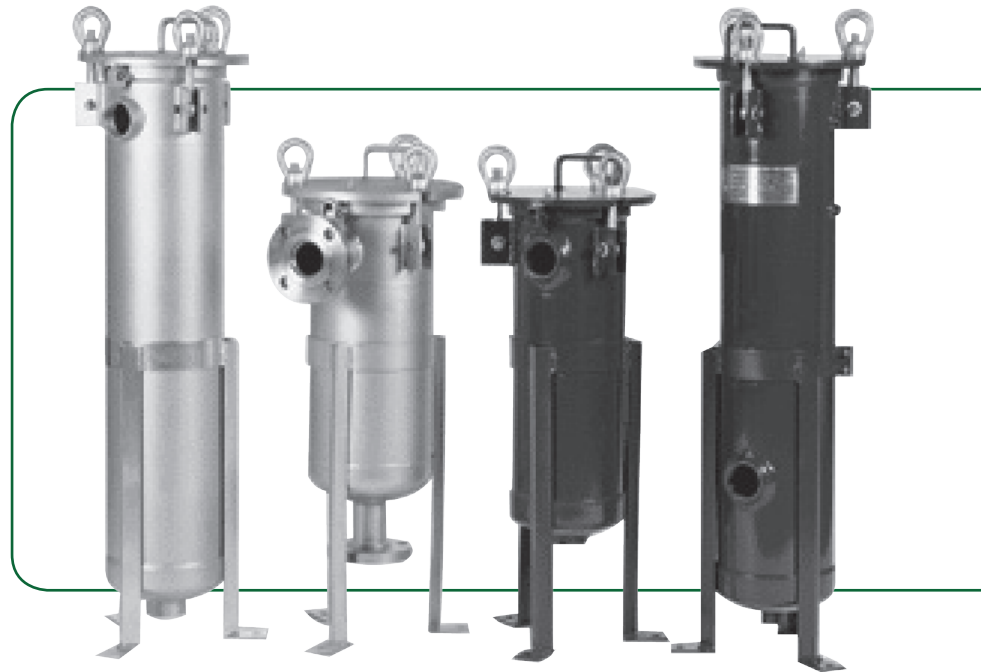
# SRHD

## STRAINRITE HEAVY DUTY VESSELS

3.0

The **SRHD** Series filter bag vessels are designed to handle your most difficult fluid filtration requirements. Our **SRHD** is made from heavy duty steel components and to strict quality standards, which allows our clients the ability to change from a non-stamped to an ASME UM stamped vessel at a nominal cost. The **SRHD** series incorporates our unique radial seal design that provides a hermetic seal between the basket and vessel. Utilizing a radial seal with our retainer baskets eliminates “basket rocking”, which causes bypass as the basket becomes out of round. “Basket rocking” is common in low cost bag vessels that do not incorporate an O-ring seal and can cause unfiltered liquid bypass. The Strainrite Companies’ **SRHD**, with a radial seal, has a machined surface that produces a positive seal to eliminate bypass.

**SRHD** vessels incorporate a combination of unique qualities that places us at the top of single bag vessel design. Standard features include: a recessed basket, volume displacer welded to top cover, and a 304 stainless steel wire mesh basket to name a few. Our standard wire mesh baskets increase available filtration surface area up to 30% compared to cheaper perforated retainer baskets. Increasing effective filtration surface area reduces bag consumption and extends production run times decreasing labor cost.



### OPTIONAL FEATURES

- Sanitary construction
- Different outlet connections and orientations
- Higher pressure ratings
- Heat jacketing
- ASME code stamp
- Duplexed units are available
- Pipe or flange 1" - 4"
- 300 psi up to 1,000 psi
- Compression device

### STANDARD DESIGN

- Low Pressure Drops
- Covers are o-ring sealed
- Carbon steel, or stainless steel
- (304) or (316) construction for housings
- Liquid displacers for cleaner servicing
- Easy to clean
- Adjustable-height legs
- Large-area, heavy-duty baskets
- O-ring seals: Buna N, EPR, Viton<sup>®</sup>, Teflon<sup>®</sup> encapsulated
- 150 psi pressure rating

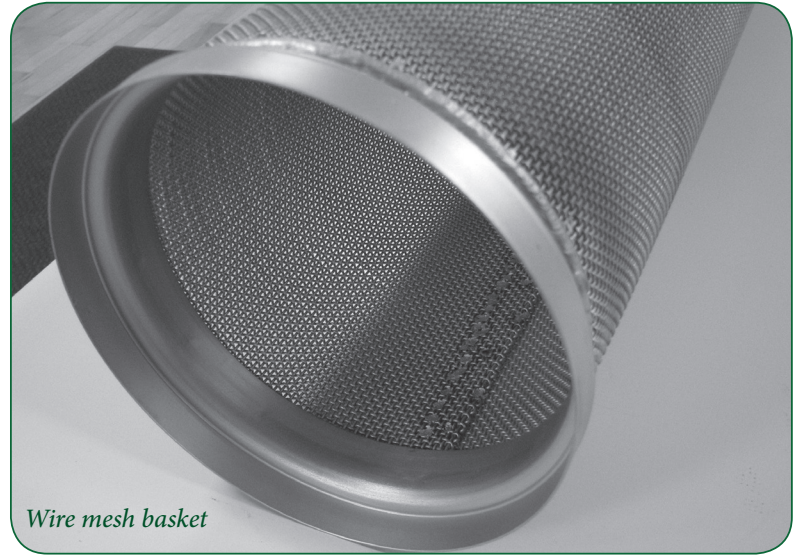


Longer Filter Life  
and Decreased Labor Costs

## RECOMMENDED FLOW RATES & SURFACE AREA

For the following recommended flow rates, vessels need a minimum inlet/outlet size of 2" NPT. The recommended flow for basket and filter combination is for nominally rated filter bags. (*High efficiency filter bags excluded*).

Product	Basket Strainer	Mesh Lined Basket Strainer	Retainer Basket with Filter Bag	Surface Area: Sq. Ft.
SRHD 1	150 gpm	100 gpm	75 gpm	2.25
SRHD 2	300 gpm	200 gpm	150 gpm	4.50



Wire mesh basket

## ORDERING INFORMATION

Example:

<b>Series</b>	SRHD - Strainrite Heavy Duty Series	SRHD
<b>Bag Size</b>	1 - #1 size bag 2 - #2 size bag	2
<b>Inlet/Outlet</b>	2 - 2" NPT 2F - 2" RFF 3 - 3" NPT 3F - 3" RFF 4 - 4" NPT 4F - 4" RFF	2F
<b>Material of Construction</b>	A - Carbon Steel B - 304 Stainless Steel C - 316 Stainless Steel	A
<b>Options</b>	SAN - Sanitary Design SO - Side Outlet EP - Electro Polish Finish GT - Differential Pressure Gauge Ports ML - Mesh-Lined Basket UM - Code Stamped U - 3rd Party ASME Code Inspected SSB - Swing Bolts / Eye Nut Stainless Steel	SAN

SRHD22FASAN

## FEATURES AND BENEFITS

- Hermetic radial o-ring sealed retainer basket  
*Eliminates potential for bypass and "basket rocking"*
- Adjustable tri-pod stand  
*Offers flexibility when plumbing into an existing line*
- Built-in volume displacer in cover
- Inlet/outlet orientation:  
*Side-in/Bottom-out (standard)  
or Side-in/Side-out (optional)*
- Low pressure drop
- Positive cover seal
- Standard Pressure ratings:  
150 up to 300 psi
- Custom pressure ratings:  
300 psi up to 1,000 psi
- Easily cleaned
- Stainless Steel wire mesh basket
- ASME Code stamp available  
on all SRHD style vessels
- Swing bolt closures
- 0.25" NPT vent tap
- Pipe sizes from 0.75" to 4" NPT, RFF or Quick Disconnect connections

# SRX

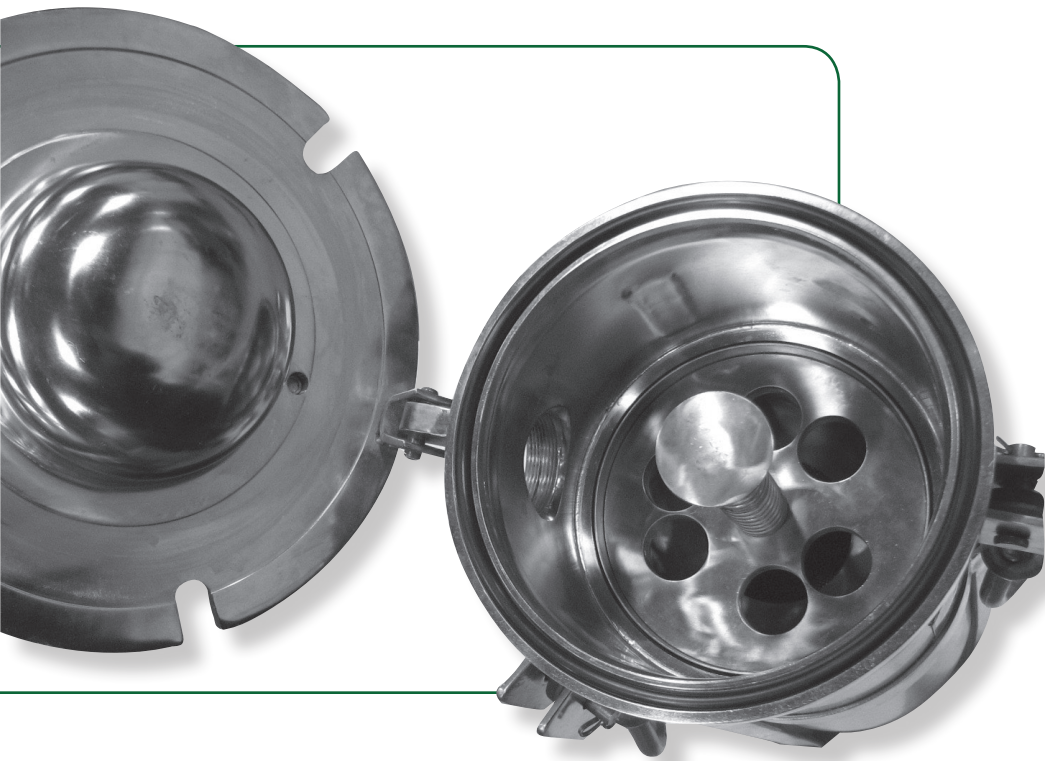
## STRAINRITE "X-TRA SEAL" VESSEL

4.0

The Strainrite "X-Tra Seal" vessel was developed by our in-house engineering team for the expressed purpose of eliminating vessel-to-bag bypass, a critical element when high efficiency filtration is required. Strainrite's proprietary "Five Points of Seal" design has proven to be a major advance in filter vessel technology, performing admirably where the competition hasn't.

Featuring an effective seal on all three crucial planes of the bag, (the top, side, and bottom) as well as two additional o-rings that eliminate the likelihood of bypass along the vessel's interior wall, the "X-Tra Seal" is truly your best choice for high efficiency bag filtration performance.

The most efficient filter vessel deserves the most efficient filter bag! Using Strainrite's acclaimed Hi-Pro Micro Series FDA Compliant filter bags ensures the purity of your end product.



### FEATURES AND BENEFITS

- Double o-ring basket seal, which eliminates bypass
- Adjustable height tripod stand
- Built-in volume displacer in cover
- Inlet/outlet orientation: Side-in/Bottom-out (standard) or Side-in/Side-out (optional)
- Low pressure drop
- Positive cover seal
- Standard 150 psi design, available up to 300 psi
- Easily cleaned
- Stainless Steel wire mesh basket
- ASME Code stamp available on all SRX style vessels

### OPTIONAL FEATURES

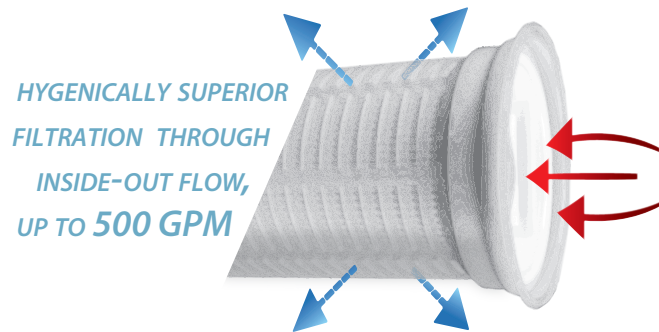
- Different outlet connections and orientation
- Higher pressure ratings
- Extra-length legs
- Heat jacketing
- Liquid displacers for easier servicing

### STANDARD DESIGN

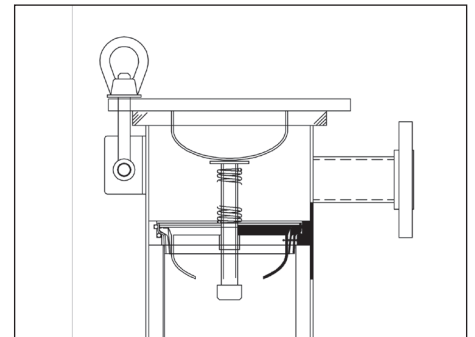
- Low Pressure Drops
- Covers are o-ring sealed
- Carbon steel, or stainless steel (304 or (316) construction for housings
- Easy to clean
- Adjustable-height legs
- Large-area, heavy-duty baskets

## PRACTICAL APPLICATIONS

"X-Tra Seal" vessels are widely used in applications where high efficiency filters are required for critical applications in Pharmaceutical and Food & Beverage industries. **SRX** vessels are perfectly designed to hermetically seal **Madd-Maxx** pleated hybrid elements



### Compression Plunger



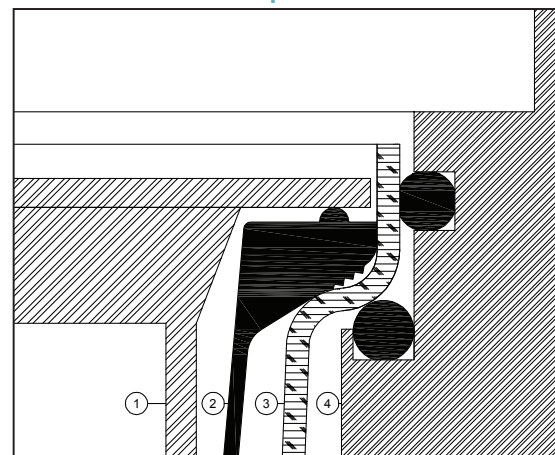
*MADD-MAXX PLEATED FILTERS ARE ENGINEERED FOR CRITICAL HIGH PURITY APPLICATIONS, OPTIMIZING THROUGHPUT WHILE MAINTAINING AN ABSOLUTE RATED PERFORMANCE THAT IS CONSISTENT AND RELIABLE.*

## ORDERING INFORMATION

Example:		
<b>Series</b>	SRX - Strainrite X-tra Seal Series	SRX
<b>Bag Size</b>	1 - #1 size bag 2 - #2 size bag	2
<b>Inlet/Outlet</b>	2 - 2" NPT 2F - 2" RFF	2F
<b>Material of Construction</b>	A - Carbon Steel B - 304 Stainless Steel C - 316 Stainless Steel	A
<b>Options</b>	BIBO - Bottom-in Bottom-out ML - Mesh-Lined Basket U - 3rd Party ASME Code Inspected SSB - Swing Bolts / Eye Nut Stainless Steel	WMB

SRX22FAWMB

### Vessel Under Compression



1. COMPRESSION DEVICE
2. SEALRITE BAG FLANGE
3. FILTER SUPPORT BASKET
4. VESSEL ID PROFILE O-RING SEAL

# SRL

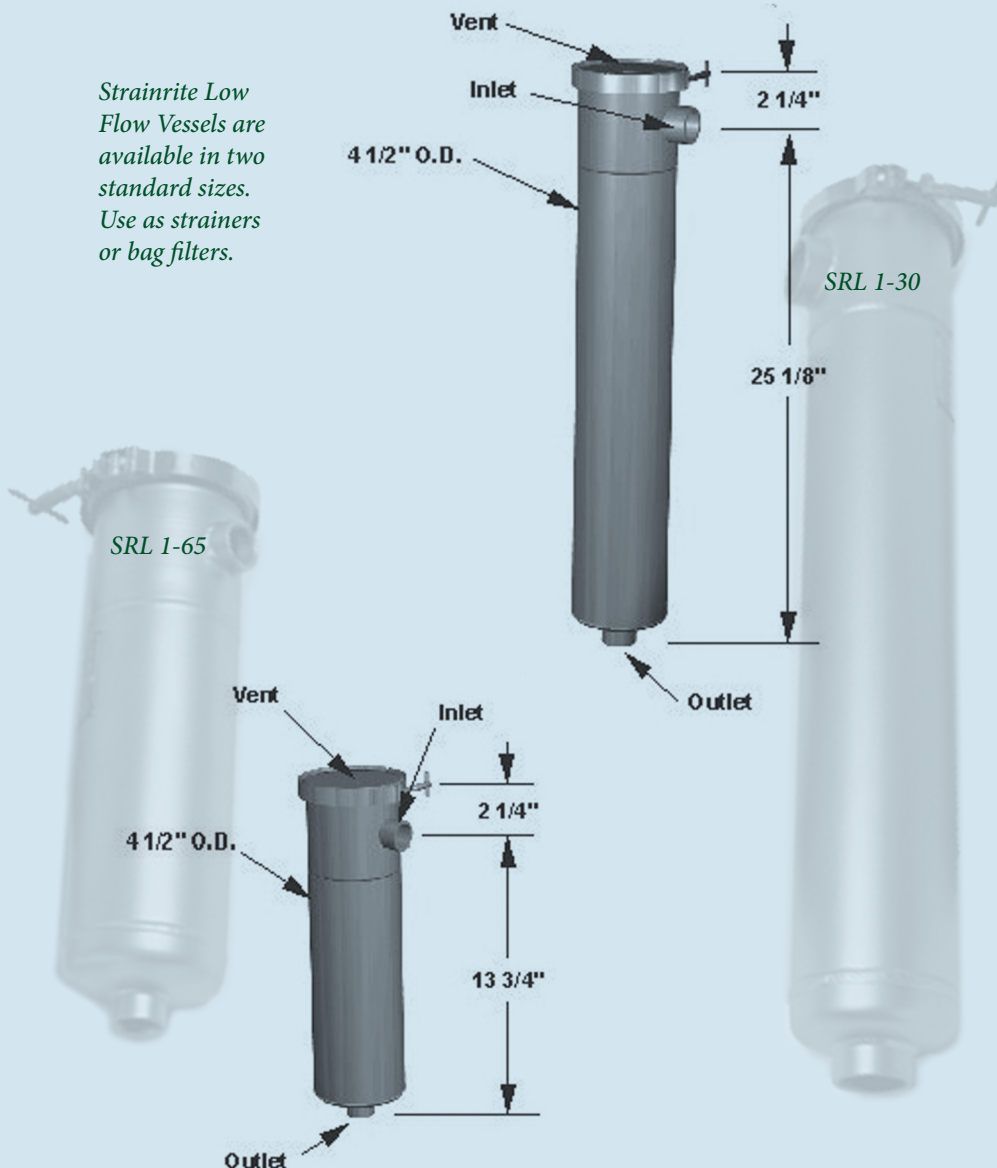
## STRAINRITE LOW FLOW VESSELS

5.0

The **SRL** Series is versatile in its ability to function as a strainer or add a filter bag and convert it to a liquid filtration housing unit. The **SRL** Series vessels come in two standard sizes, tailored to your throughput requirements. The **SRL 1-30** is rated for 30 gpm, and the **SRL 1-65** at 65 gpm. All sizes are available in three different closure designs for ease of cleaning/replacing and for easy removal without specific tools.

Unfiltered liquid enters the housing above the bag or basket and flows through. Because solids are contained inside the bag or basket, removal is made easy when service is required. Basket strainers and bag filters are selected to comply with specific application requirements.

*Strainrite Low Flow Vessels are available in two standard sizes. Use as strainers or bag filters.*



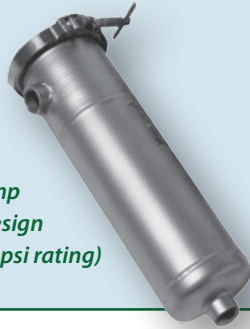
## FEATURES AND BENEFITS

- Inlet/Outlet Orientation
  - Side-in Bottom-out (standard)
  - Side-in Side-out (optional)
- Low Pressure Drop, Positive Cover Seal
- Easily Cleaned
- Heavy Duty
  - Perforated Basket
- ASME Code Stamp
  - Available on swing bolt design
- Band Clamp, Swing Bolt & Swing Away Closures
- 0.25" NPT Vent Tap
- Pipe Sizes from 0.5" to 2" NPT, RFF or Quick Disconnect Connections

## CLOSURE OPTIONS AND FEATURES

Both sizes of the **SRL** Series are available in three different closure designs. Select between the Band Clamp, Swing Bolt or the Swing Away Closure options.

*Band Clamp Closure design (100 - 200 psi rating)*



*Swing Away Closure design (100 psi rating)*



*SRL 1-30 with Swing Bolt Closure design (100 to 300 psi rating)*



## ORDERING INFORMATION

Example:

<b>Series</b>	SRL - Strainrite Low Flow Series	<b>SRL</b>
<b>Bag Size</b>	#3 - 3 size bag #4 - 4 size bag 30 - 30 size bag 65 - 65 size bag	<b>30</b>
<b>Inlet/Outlet</b>	1 - 1" NPT 1F - 1" RFF 1TC - 1" Triclover 1.5 - 1.5" NPT 1.5F - 1.5" RFF 1.5TC - 1.5" Triclover 2 - 2" NPT 2F - 2" RFF 2TC - 2" Triclover	<b>1</b>
<b>Material of Construction</b>	A - Carbon Steel B - 304 Stainless Steel C - 316 Stainless Steel	<b>A</b>
<b>Closure</b>	BC - Band Clamp SB - Swing Bolt SW - Swing Away	<b>BC</b>
<b>Options</b>	SAN - Sanitary Design - Side Out/180 SO - Side Outlet - Side Out/Same Side EP - Electro Polish Finish GT - Differential Pressure Gauge Ports ML - Mesh-Lined Basket UM - Code Stamped (SB only)	<b>SAN</b>

**SRL301ABCSAN**

## STANDARD DESIGN

- Inlet/outlet orientations: Side-in Bottom-out
- Low pressure drop, positive cover seal
- Easily cleaned
- Heavy duty perforated basket
- Band clamp, swing away and swing bolt closures
- 0.25" NPT vent tap
- Pipe sizes from 0.5" to 2" NPT, RFF or Quick Disconnect connections

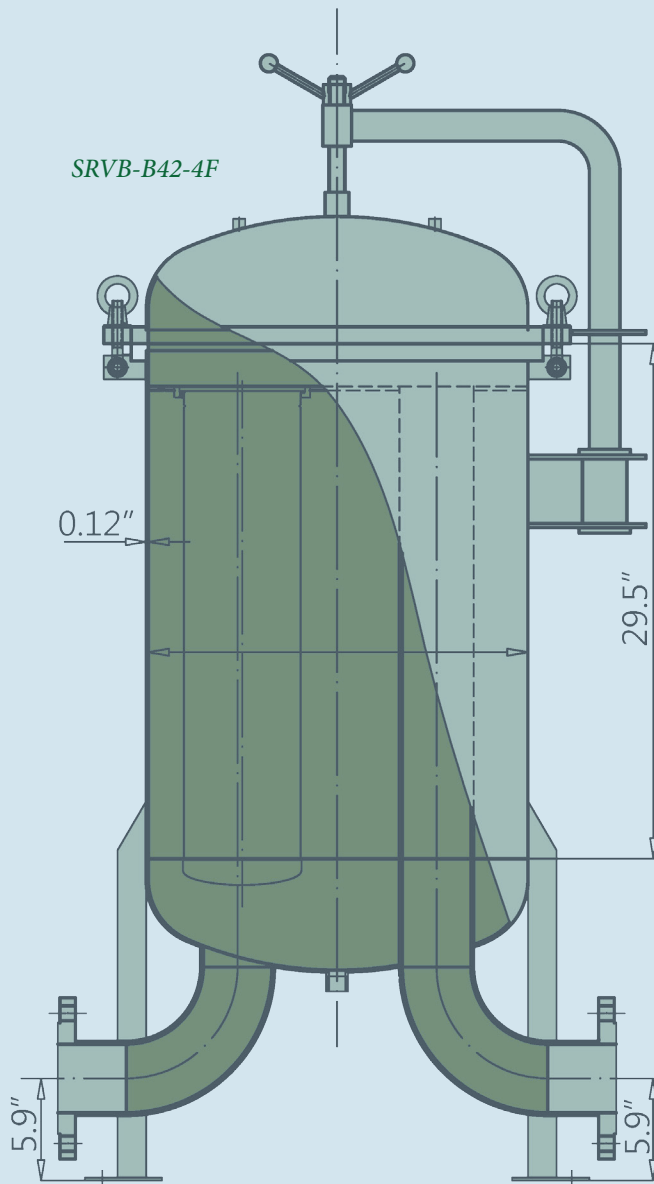
## OPTIONAL FEATURES

- Side-in/Side-out
- Epoxy coating, electro-polish & fuse coating
- Higher pressure ratings available
- Compression devices
- Custom designs
- Sanitary construction
- Mesh-lined basket for straining applications: 50 micron & higher
- ASME code stamp available on swing bolt design

# SRVB MULTI

STRAINRITE VALUE DESIGN VESSELS

6.0



The SRVB Value Design vessels provide economical filtration of a wide variety of liquids in a bottom-in bottom-out, externally polished stainless steel design and include a swing-bolt secured, quick opening cover and individual internal bag sealing devices. The SRVB vessels accommodate four or six standard #2 bags. These vessels are manufactured from polished and passivated 304 stainless steel and rated for 150 psi (10.3 bar). For added corrosion resistance, all cover bolt and leg mounting hardware is made from stainless steel as well.

## APPLICATIONS

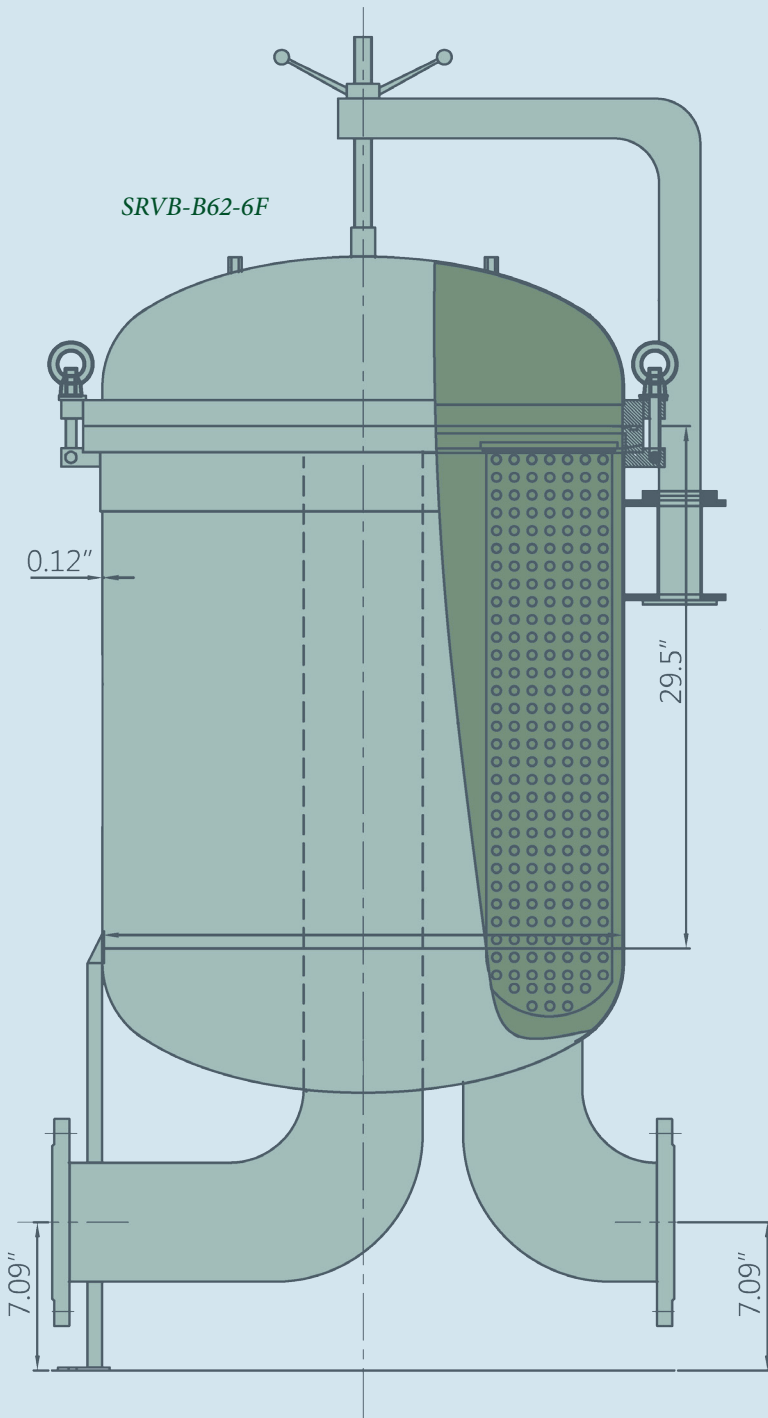
- Potable Water
- Lubricants
- Process Water
- Coolants
- Cutting oils
- Coatings
- Solvents

## SPECIFICATIONS

Max. Allowable Pressure	150 psi (10.3 bar)
Max. Allowable Temperature	300°F (149°C)

## FEATURES & BENEFITS

- Swing bolted o-ring closure seal provides quick & positive seal with easy access to the vessel interior and filter bag
- ANSI B16.5 flanged inlet and outlet connections
- EPDM seals are standard with other material options available
- Standard threaded FNPT vent & drains
- Standard stainless steel closure bolt hardware
- Polished exterior & pickle passivate interior/exterior for enhanced corrosion resistance
- Bottom in-line connection design



## ORDERING INFORMATION

Example:

<b>Series</b>	SRVB - Strainrite Value Design Bag Vessel	SRVB
<b>Material</b>	B - 304 Stainless Steel	-B
<b>Number of Filter Bags</b>	<b>Bag Size Availability</b>	<b>Inlet/Outlet Availability</b>
	4 2-#2 size bag	4F- 4"RFF
	6 2-#2 size bag	6F- 6"RFF
<b>O-ring Material</b>	B - Buna N E - EPDM V - Fluorocarbon	B

SRVB-B4-24FB ←

# SRID TWIN/DUPLEX

## STRAINRITE INDUSTRIAL DUTY TWIN & DUPLEX SYSTEM

7.0

The **SRID** Twin and Duplex Systems offer economical filtration for nominally rated applications between 150 and 300 gpm. These are two #2 size housings piped together and joined to a common header. This design divides flow equally between both housings and also reduces cost approximately 50% compared to a multi-bag housing holding 2 bags inside. The **SRID** Duplex allows you to simultaneously filter with one vessel while easily changing the other.

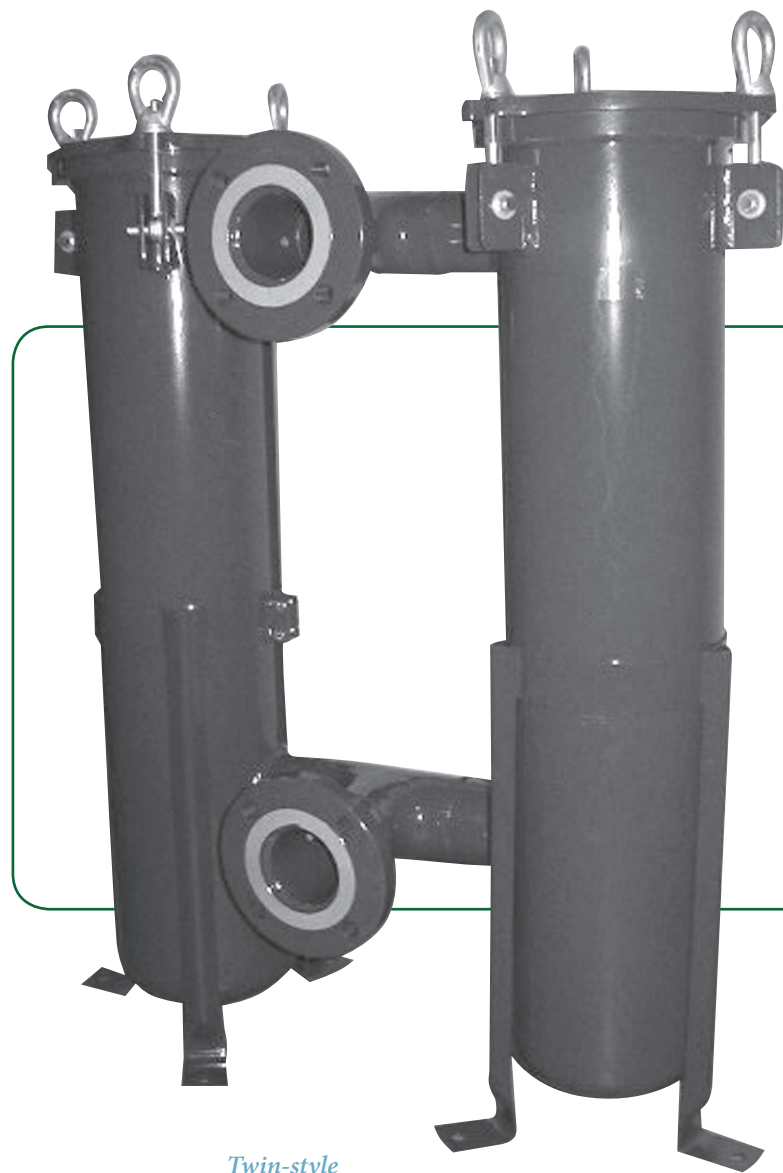
### FEATURES AND BENEFITS

- Adjustable height tripod stand
- Inlet/outlet orientation:  
Side-in/Bottom-out (standard)  
or Side-in/Side-out (optional)
- Low pressure drop
- Positive cover seal
- 150 psi design, available to 1,000 psi
- Easily cleaned
- 1/8" Stainless Steel perforated basket (standard)

### ORDERING INFORMATION

Example:		
<b>Series</b>	SRID - Strainrite Industrial Duty Series	SRID
<b>Bag Size</b>	2 - #2 size bag	2
<b>Inlet/Outlet</b>	2F - 2" RFF 3F - 3" RFF	2F
<b>Material of Construction</b>	A - Carbon Steel B - 304 Stainless Steel	A
<b>Style</b>	Twin	Twin
<b>Options</b>	WMB - Wire Mesh Basket EN - Eye Nut EP - Electro Polish Finish MLB (20) - Mesh-Lined Basket CLH - Cover Lid Handle DPG - Differential Pressure Gauge Ports (2)	WMB

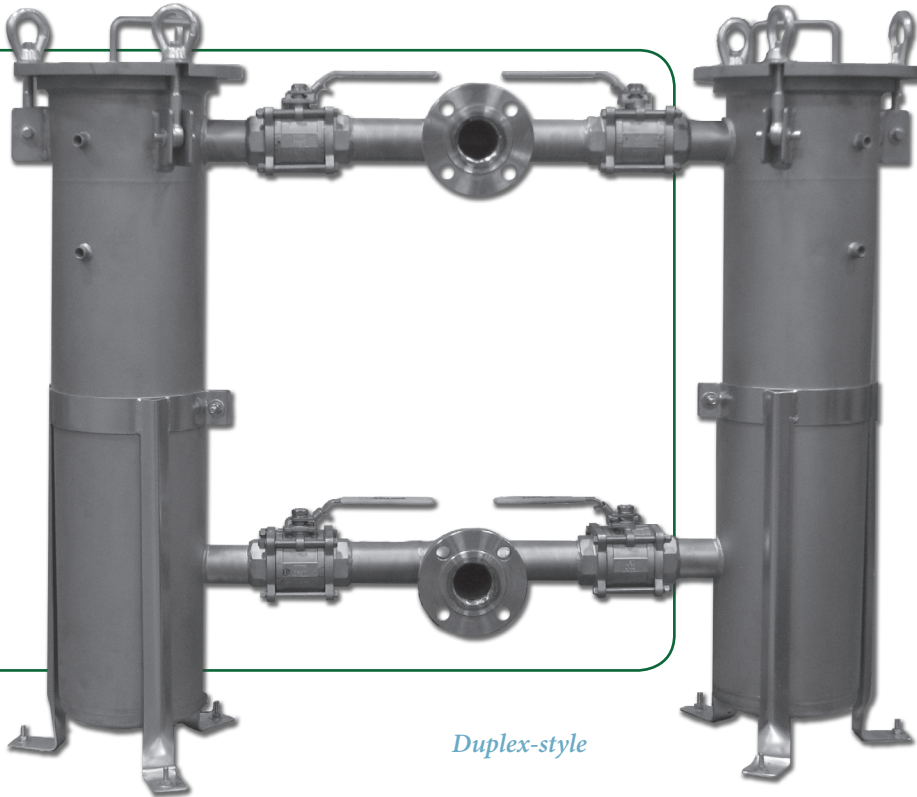
SRID22FATwinWMB



Twin-style



## The Advanced Industrial Duty Filter Bag Housing



The **SRID** Duplex filter systems offer great flexibility for continuous on-line filtration requirements. This allows for continuous operation by directing the flow from one vessel to another by opening and closing of valves. This allows one side to be serviced, while the other vessel is in use.

### FEATURES AND BENEFITS

- Adjustable height tripod stand
- Inlet/outlet orientation:  
Side-in/Bottom-out (standard)  
or Side-in/Side-out (optional)
- Low pressure drop
- Positive cover seal
- 150 psi design, available to 1,000 psi
- Easily cleaned
- 1/8" Stainless Steel perforated basket (standard)

### ORDERING INFORMATION

Example:

Series	SRID - Strainrite Industrial Duty Series	SRID
Bag Size	2 - #2 size bag	2
Inlet/Outlet	2F - 2" RFF 3F - 3" RFF	2F
Material of Construction	A - Carbon Steel B - 304 Stainless Steel	A
Style	Duplex	Duplex
Options	WMB - Wire Mesh Basket EN - Eye Nut EP - Electro Polish Finish MLB (20) - Mesh-Lined Basket CLH - Cover Lid Handle DPG - Differential Pressure Gauge Ports (2)	WMB

SRID22FADuplexWMB ←

# SRHD TWIN/DUPLEX

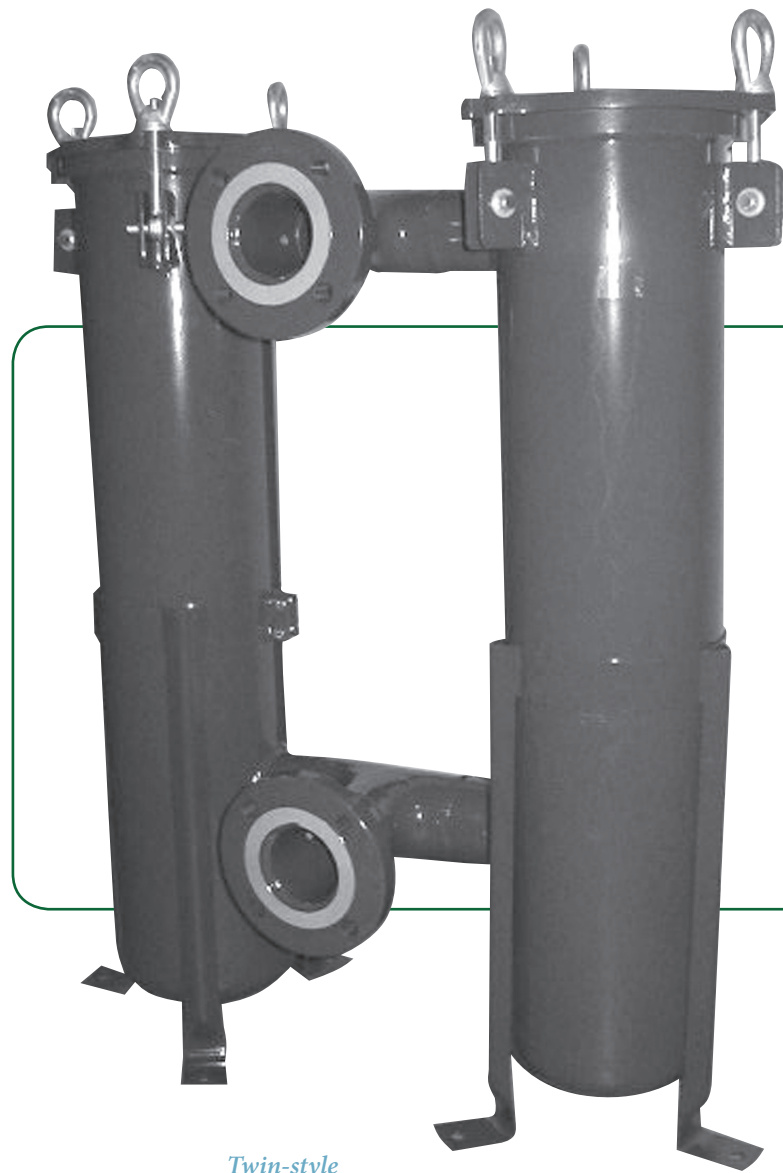
## STRAINRITE HEAVY DUTY TWIN & DUPLEX SYSTEM

8.0

The **SRHD** Twin and Duplex Systems offer economical filtration for nominally rated applications between 150 and 300 gpm. These are two #2 size housings piped together and joined to a common header. This design divides flow equally between both housings and also reduces cost approximately 50% compared to a multi-bag housing holding 2 bags inside.

### FEATURES AND BENEFITS

- Adjustable height tripod stand
- Inlet/outlet orientation:  
Side-in/Bottom-out (standard)  
or Side-in/Side-out (optional)
- Low pressure drop
- Positive cover seal
- 150 psi design, available to 1,000 psi
- Easily cleaned
- Stainless Steel wire mesh basket
- ASME Code stamp available on all SRHD style vessels



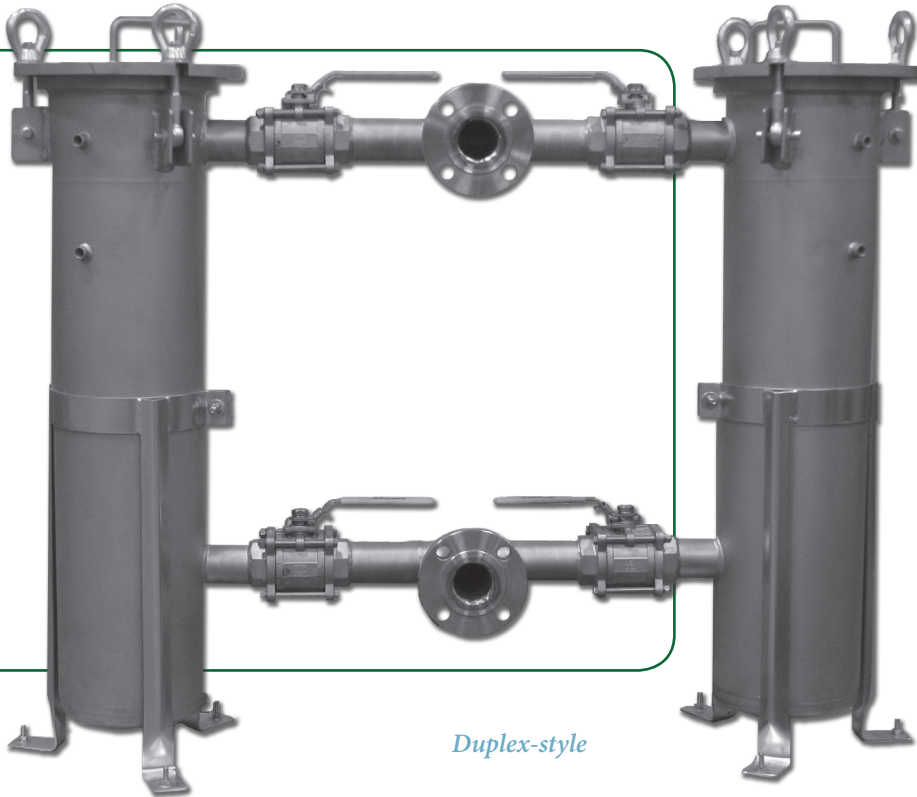
Twin-style

### ORDERING INFORMATION

		<i>Example:</i>
<b>Series</b>	SRHD - Strainrite Heavy Duty Series	<i>SRHD</i>
<b>Bag Size</b>	2 - #2 size bag	<i>2</i>
<b>Inlet/Outlet</b>	2F - 2" RFF 3F - 3" RFF	<i>2F</i>
<b>Material of Construction</b>	A - Carbon Steel B - 304 Stainless Steel C - 316 Stainless Steel	<i>A</i>
<b>Style</b>	Twin	<i>Twin</i>
<b>Options</b>	SAN - Sanitary Design EP - Electro Polish Finish GT - Differential Pressure Gauge Ports ML - Mesh-Lined Basket UM - Code Stamped U - 3rd Party ASME Code Inspected SSB - Swing Bolts / Eye Nut Stainless Steel	<i>SAN</i>

SRHD22FATwinSAN

*Longer Filter Life  
and Decreased Labor Costs*



*Duplex-style*

The **SRHD** Duplex filter systems offer great flexibility for continuous on-line filtration requirements. This allows for continuous operation by directing the flow from one vessel to another by opening and closing of valves. This allows one side to be serviced, while the other vessel is in use.

## FEATURES AND BENEFITS

- Adjustable height tripod stand
- Inlet/outlet orientation:  
Side-in/Bottom-out (standard)  
or Side-in/Side-out (optional)
- Low pressure drop
- Positive cover seal
- 150 psi design, available to 1,000 psi
- Easily cleaned
- Stainless Steel wire mesh basket
- ASME Code stamp available on all SRHD style vessels

## ORDERING INFORMATION

*Example:*

<b>Series</b>	SRHD - Strainrite Heavy Duty Series	<i>SRHD</i>
<b>Bag Size</b>	2 - #2 size bag	<i>2</i>
<b>Inlet/Outlet</b>	2F - 2" RFF 3F - 3" RFF	<i>2F</i>
<b>Material of Construction</b>	A - Carbon Steel B - 304 Stainless Steel C - 316 Stainless Steel	<i>A</i>
<b>Style</b>	Duplex	<i>Duplex</i>
<b>Options</b>	SAN - Sanitary Design EP - Electro Polish Finish GT - Differential Pressure Gauge Ports ML - Mesh-Lined Basket UM - Code Stamped U - 3rd Party ASME Code Inspected SSB - Swing Bolts / Eye Nut Stainless Steel	<i>SAN</i>

**SRHD22FADuplexWMB** ←

# SRMX

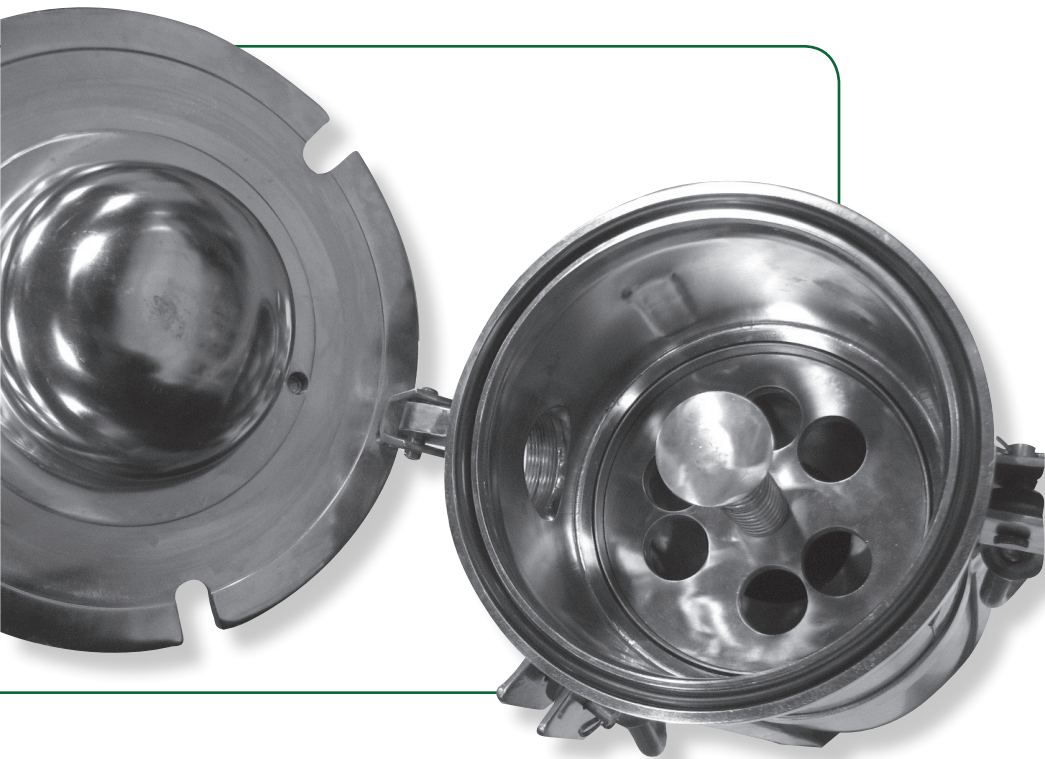
## STRAINRITE "X-TRA SEAL" VESSEL

9.0

The Strainrite "X-Tra Seal" vessel was developed by our in-house engineering team for the expressed purpose of eliminating vessel-to-bag bypass, a critical element when high efficiency filtration is required. Strainrite's proprietary "Five Points of Seal" design has proven to be a major advance in filter vessel technology, performing admirably where the competition hasn't.

Featuring an effective seal on all three crucial planes of the bag, (the top, side, and bottom) as well as two additional o-rings that eliminate the likelihood of bypass along the vessel's interior wall, the "X-Tra Seal" is truly your best choice for high efficiency bag filtration performance.

The most efficient filter vessel deserves the most efficient filter bag! Using Strainrite's acclaimed Hi-Pro Micro Series FDA Compliant filter bags ensures the purity of your end product.



### FEATURES AND BENEFITS

- Double o-ring basket seal, which eliminates bypass
- Adjustable height tripod stand
- Built-in volume displacer in cover
- Inlet/outlet orientation: Side-in/Bottom-out (standard) or Side-in/Side-out (optional)
- Low pressure drop
- Positive cover seal
- Standard 150 psi design, available up to 300 psi
- Easily cleaned
- Stainless Steel wire mesh basket
- ASME Code stamp available on all SRMX style vessels

### OPTIONAL FEATURES

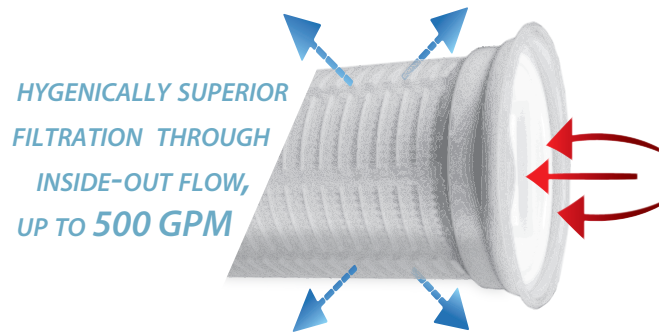
- Different outlet connections and orientation
- Higher pressure ratings
- Extra-length legs
- Heat jacketing
- Liquid displacers for easier servicing

### STANDARD DESIGN

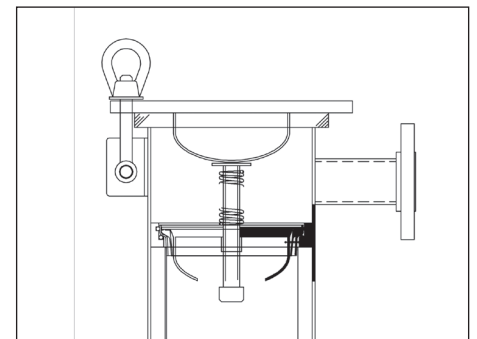
- Low Pressure Drops
- Covers are o-ring sealed
- Carbon steel, or stainless steel (304 or (316) construction for housings
- Easy to clean
- Adjustable-height legs
- Large-area, heavy-duty baskets

## PRACTICAL APPLICATIONS

“X-Tra Seal” vessels are widely used in applications where high efficiency filters are required for critical applications in Pharmaceutical and Food & Beverage industries. **SRMX** vessels are perfectly designed to hermetically seal **Madd-Maxx** pleated hybrid elements

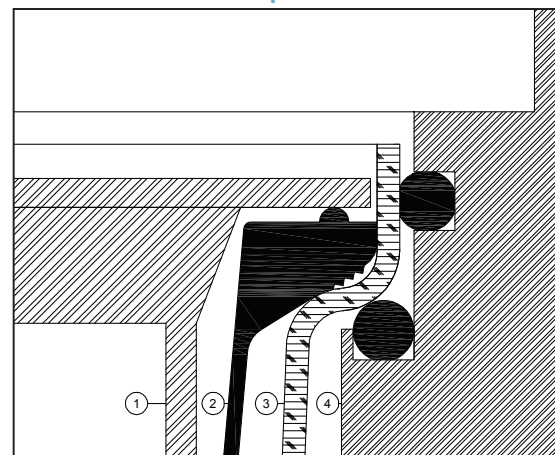


### Compression Plunger



MADD-MAXX PLEATED FILTERS ARE ENGINEERED FOR CRITICAL HIGH PURITY APPLICATIONS, OPTIMIZING THROUGHPUT WHILE MAINTAINING AN ABSOLUTE RATED PERFORMANCE THAT IS CONSISTENT AND RELIABLE.

### Vessel Under Compression



1. COMPRESSION DEVICE
2. SEALRITE BAG FLANGE
3. FILTER SUPPORT BASKET
4. VESSEL ID PROFILE O-RING SEAL

## ORDERING INFORMATION

		Example:
<b>Series</b>	SRMX - Strainrite X-tra Seal Series	SRMX
<b>Number of Bags</b>	2 - 2-bag vessel 3 - 3-bag vessel 4 - 4-bag vessel 5 - 5-bag vessel 6 - 6-bag vessel 8 - 8-bag vessel 10 - 10-bag vessel	3
<b>Inlet/Outlet</b>	2 - 2" NPT 2F - 2" RFF 3F - 3" RFF 4F - 4" RFF 6F - 6" RFF 8F - 8" RFF 10F - 10" RFF	2F
<b>Material of Construction</b>	A - Carbon Steel B - 304 Stainless Steel C - 316 Stainless Steel	A
<b>Options</b>	BIBO - Bottom-in Bottom-out ML - Mesh-Lined Basket U - 3rd Party ASME Code Inspected SSB - Swing Bolts / Eye Nut Stainless Steel	WMB

SRMX32FAWMB

The Manifold filtration systems consist of two or more filter vessels piped in series or parallel. Strainrite offers countless configurations and flow designs depending on the user's specific needs. The standard design is to configure the vessels in parallel with isolation valves on each vessel (refer to multiplex picture). A four-vessel system can also be configured in a box design, which allows for graduated filtration and continuous flow. Given the modular nature of manifold systems, throughput capability can be easily expanded or contracted as needed, and the footprint is adaptable to available space. Contact our engineering personnel to configure the ideal system for your application.



Offering the Greatest Flexibility for  
Continuous On-line Filtration Requirements

## FEATURES AND BENEFITS

- Built-in volume displacer in cover (SRMS)
- Inlet/outlet orientation: Side-in/ Bottom-out (standard) or Side-in/ Side-out (optional)
- Low pressure drop
- Positive cover seal
- 150 psi design, available to 300 psi
- Easily cleaned
- Stainless Steel wire mesh basket
- ASME Code stamp available on all SRMS style vessels



## ORDERING INFORMATION

Example:

Series	SRMS - Strainrite Manifold System	SRMS
Valve Options	N - No Valves V - Valves	N
Number of Vessels	2 - 2 vessels 3 - 3 vessels 4 - 4 vessels 5 - 5 vessels 6 - 6 vessels 8 - 8 vessels 10 - 10 vessels	3
Branch Size	2 - 2" pipe 3 - 3" pipe	2
Material of Construction	A - Carbon Steel B - 304 Stainless Steel C - 316 Stainless Steel	A
Header Size	2H - 2" header 3H - 3" header 4H - 4" header 6H - 6" header	2H
Vessel Type	SRHD - Strainrite Heavy Duty SRID - Strainrite Industrial Duty	SRHD
Options	EP - Electro Polish Finish DPG - Differential Manifold Pressure Gauge Ports MLB - Mesh-Lined Baskets UM - Code Stamped U - 3rd Party ASME Code Inspected SSB - Swing Bolts / Eye Nut Stainless Steel	WMB

SRMSN32A2HSRHDWMB ←

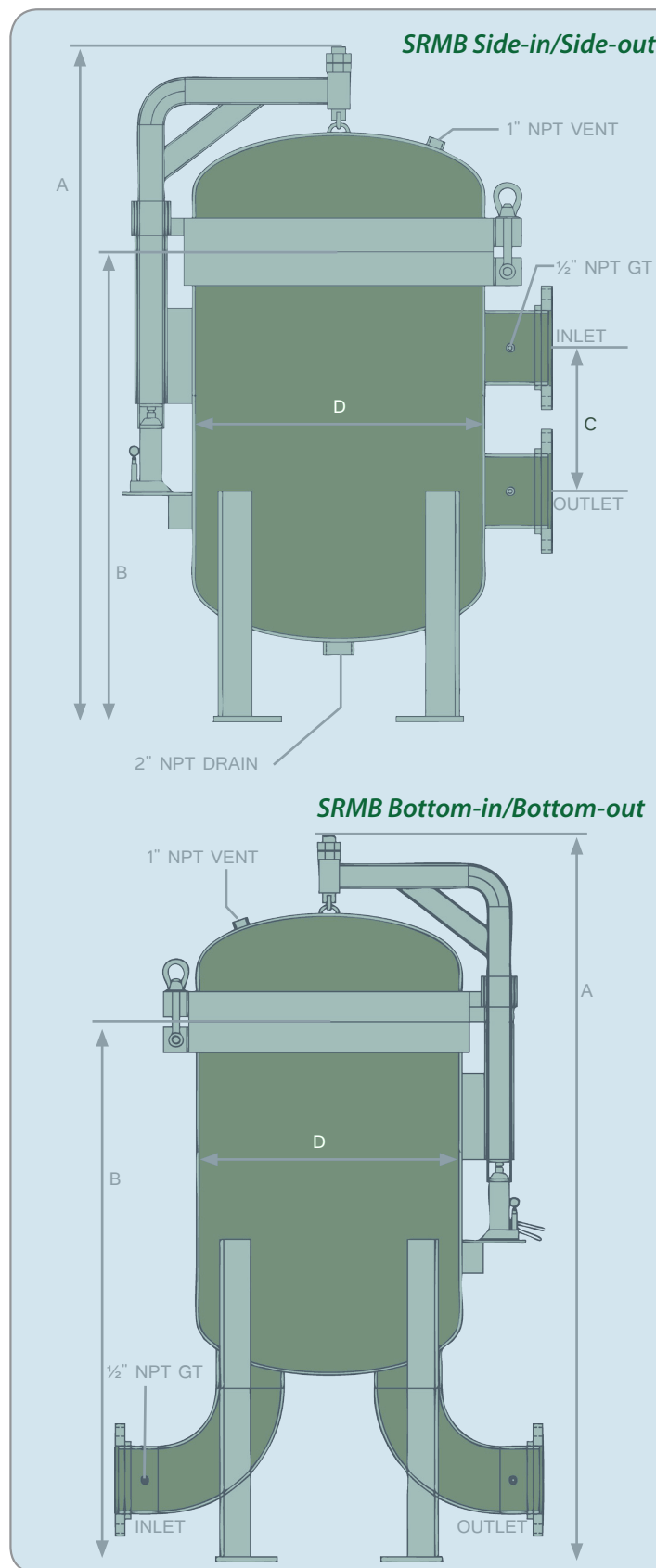
The **SRMB** Multi-cavity filter vessels offer large surface areas capable of handling up to 5600 gpm in a single housing. Increasing surface area allows for longer processing time prior to filter change-out. Containing anywhere from 2 to 28 bags/baskets in a single vessel, our standard side-inlet/side-outlet design offers the greatest inlet/outlet flexibility and doesn't require a platform to be built, in order to change-out or clean the filter elements or strainers. (Refer to diagram and charts).

### STANDARD DESIGN

- Inlet/outlet orientation: Ergonomically superior Side-in/Side-out (standard) or Bottom-in/Bottom-out (optional)
- Low pressure drop, positive cover seal
- Easily cleaned
- Stainless Steel perforated baskets
- Swing bolt closures
- 1" to 2" NPT drain port on bottom
- 0.5" to 1" NPT pressure gauge/vent tap
- Pipe sizes from 2" to 14" RFF connections
- Davit Lift
- Filter Bag Retainer Ring
- Differential pressure gauge taps

### OPTIONAL FEATURES

- Epoxy coating and fuse coating
- Pressure ratings up to 300 psi
- Choice of lid-lifting devices — Hydraulic-Jack or Manual Wheel Davit
- Wire mesh support baskets
- Mesh-lined basket for straining applications — 50 micron and higher
- ASME code stamp





Offering a Wide Range  
of Flow Capacity

## DIMENSIONS CHART FOR ERGONOMICALLY SUPERIOR MULTI-BAG VESSELS, SIDE-IN/SIDE-OUT

Unit Type	Number of Baskets or Bags	Standard Connection RFF	A Overall Height (inches)	B Height to Opening (inches)	C Inlet to Outlet (inches)	D Diameter (inches)	Surface Area Sq. Ft.	Maximum GPM Strainer	Maximum GPM Filter Bags	Maximum Shipping Weight lbs
SRMB 2	2	3"	55"	40"	12¾"	16"	9.0	600	400	380
SRMB 3	3	3"	55"	40"	12¾"	18"	13.5	900	600	470
SRMB 4	4	4"	55"	42"	12¾"	24"	18.0	1200	800	660
SRMB 5	5	6"	60"	42"	12¾"	26"	22.5	1500	1000	775
SRMB 6	6	6"	60"	42"	12¾"	26"	27.0	1800	1200	775
SRMB 8	8	8"	66"	47"	16"	30"	35.5	2400	1600	900
SRMB 10	10	8"	74"	52"	16"	36"	44.5	3000	2000	1250
SRMB 12	12	8"	74"	52"	16"	36"	54.0	3600	2400	1350



## ORDERING INFORMATION

Example:

<b>Series</b>	SRMB - Strainrite Multi-bag Series	<b>SRMB</b>
<b>Number of Bags</b>	2 - 2-bag vessel 3 - 3-bag vessel 4 - 4-bag vessel 5 - 5-bag vessel 6 - 6-bag vessel 8 - 8-bag vessel 10 - 10-bag vessel 12 - 12-bag vessel	<b>3</b>
<b>Inlet/Outlet</b>	2 - 2" NPT 2F - 2" RFF 3F - 3" RFF 4F - 4" RFF 6F - 6" RFF 8F - 8" RFF 10F - 10" RFF	<b>2F</b>
<b>Material of Construction</b>	A - Carbon Steel B - 304 Stainless Steel C - 316 Stainless Steel	<b>A</b>
<b>Options</b>	BIBO - Bottom-in Bottom-out ML - Mesh-Lined Basket U - 3rd Party ASME Code Inspected SSB - Swing Bolts / Eye Nut Stainless Steel	<b>BIBO</b>

SRMB32FABIBO

The SRVC Value Design vessels provide economical filtration of a wide variety of liquids in a lightweight, externally polished stainless steel design, with features including a swing bolt secured, quick opening cover and an internal positive pressure cartridge alignment and sealing plate. The SRVC vessels accommodate either a single 10" or 20" long, double open end (DOE) or 222 single open end (SOE) filter cartridge. These vessels are manufactured from polished and passivated 304 stainless steel and rated for 150 psi (10.3 bar). For added corrosion resistance, all cover bolt and leg mounting hardware is made from stainless steel as well.

### FEATURES & BENEFITS

- Convertible design allows for the use of both DOE and SOE cartridges
- Clamped o-ring closure seal provides quick and positive seal
- In-line 1" FNPT threaded pipe connections for easy installation
- Head mounting kit included
- EPDM seals are standard with other material options available
- Single O-ring design closure assures quick, positive cover sealing
- Non-ASME code design
- Standard features include vent and drain connections
- Mounting wall bracket included
- 1" NPT inlet/outlet inline
- Polished exterior & pickle passivate interior /exterior for enhanced corrosion resistance



## 304 Stainless Steel Cartridge Vessel

### APPLICATIONS

- Potable Water
- Lubricants
- Process Water
- Coolants
- Edible Oils
- Cutting oils
- Coatings
- Solvents

### SPECIFICATIONS

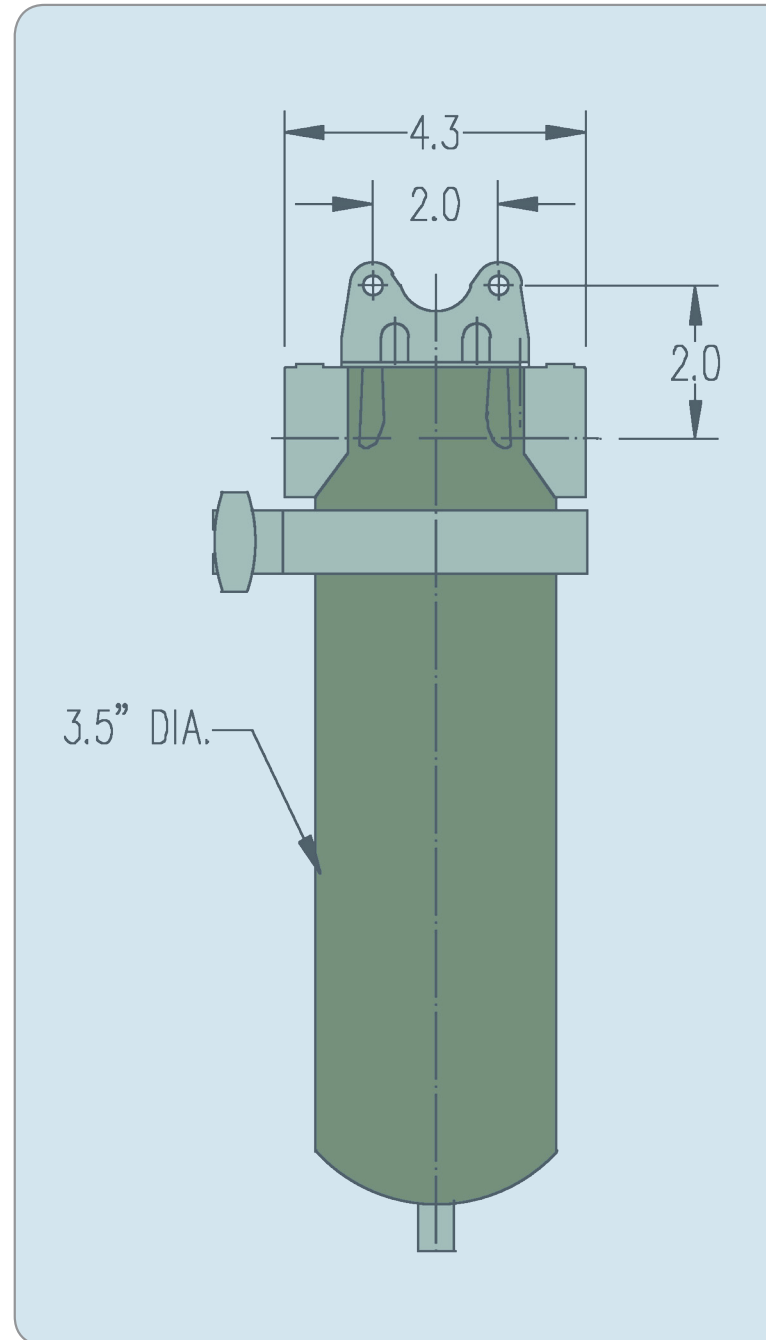
Max. Allowable Pressure	150 psi (10.3 bar)
Max. Allowable Temperature	300°F (149°C)

### ORDERING INFORMATION

Example:

<b>Series</b>	SRVC - Strainrite Value Design Cartridge Vessel	<b>SRVC</b>
<b>Material</b>	B - 304 Stainless Steel	<b>-B</b>
<b>Number of Cartridges</b>	1	<b>1</b>
<b>Element Length</b>	10 20	<b>-20</b>
<b>Inlet/Outlet</b>	1 - 1" NPT	<b>1</b>
<b>O-ring Material</b>	B - Buna N E - EPDM V - Fluorocarbon	<b>B</b>

→ **SRVC-B1-201B**



The Strainrite Companies is known for developing some of the industry's most advanced designed hybrid cartridge elements on the market. These high efficiency filter elements require a vessel that has a hermetically sealed top to fully capture all of the filters capabilities. The **SRC** is perfectly positioned to handle: standard cartridges and absolute rated filters. The Strainrite Companies' **SRC**, with a radial seal, has a machined surface that produces a positive seal to eliminate bypass. The **SRC** vessel line is raising the bar in the OEM market by delivering superior value in a cost-effective design.



### STANDARD DESIGN

- 2" NPT & RFF inlet and outlet connections
- 1/4" NPT vent port in lid
- 150 PSI design pressure
- O-ring sealed cover

### OPTIONAL FEATURES

- 3" NPT or RFF connections
- Eye nut closure system

# The Advanced Industrial Duty Cartridge Housing

## ORDERING INFORMATION

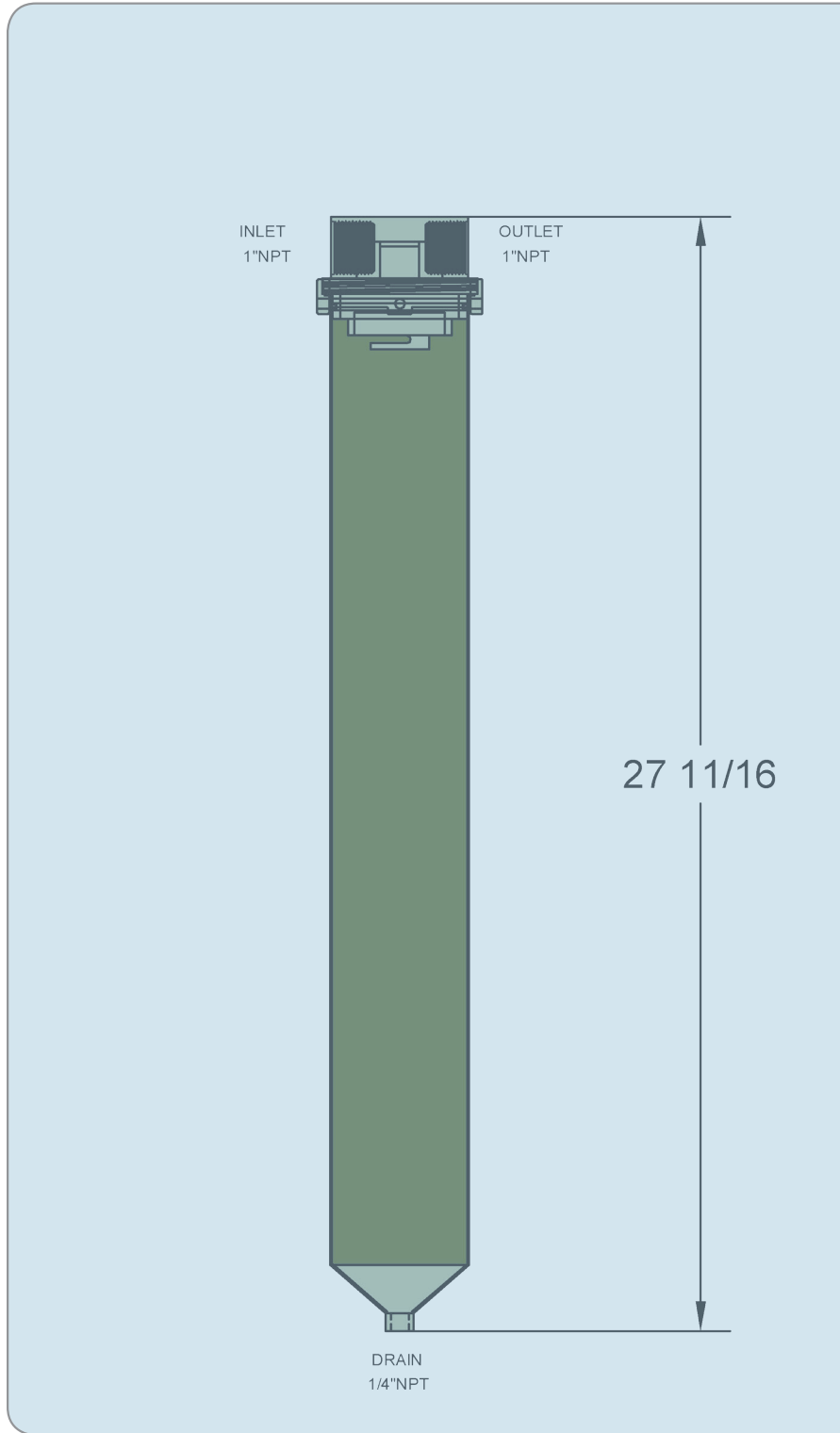
Example:

<b>Series</b>	SRC - Strainrite Industrial Duty Cartridge Vessel	<b>SRC</b>
<b>Material</b>	I-B - 304 Stainless I-PP - Polypropylene*	<b>I-B</b>
<b>Number of Cartridges</b>	1	<b>1</b>
<b>Element Length</b>	10 20 30	<b>-20</b>
<b>Inlet/Outlet</b>	3/4 - 3/4" NPT 1 - 1" NPT 2 - 2" NPT 2F - 2" RFF 3 - 3" NPT 3F - 3" RFF	<b>2</b>
<b>O-ring Material</b>	B - Buna N E - EPDM V - Fluorocarbon	<b>B</b>

\*only available with 10", 20" elements



**SRCI-B1-202B**



The SRCT Sanitary Cartridge Filter offers the aesthetics and operational durability of stainless steel at affordable prices. The SRCT's innovative design ensures optimal cleanability in critical areas and can accommodate either 10", 20" or 30" filter cartridges.

### FEATURES AND BENEFITS

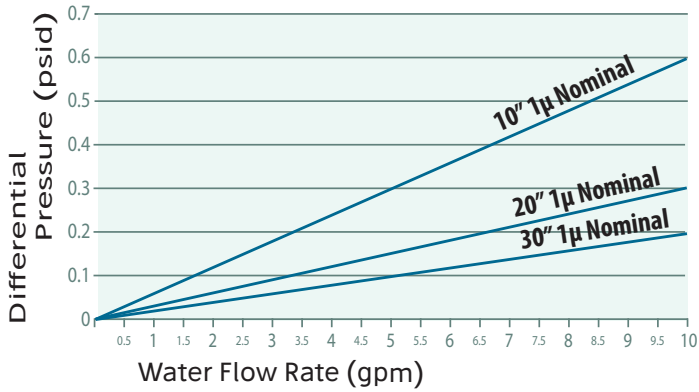
- Electropolished finish ensures optimal cleanability in critical areas.
- Maximum Operating pressure 150 psi (67 F).
- Fitted for code 7 filter cartridge.
- Stainless steel legs.
- Sterilization using in-line steam, autoclave or hot water.



### SPECIFICATIONS

Max. Differential Pressure	25 PSID
Max. Flow Rate	25 GPM Water
Filter Cartridge Life	0-25 PSID
Flow Range	1-20 GPM

## PRESSURE DROP VS. FLOW RATE

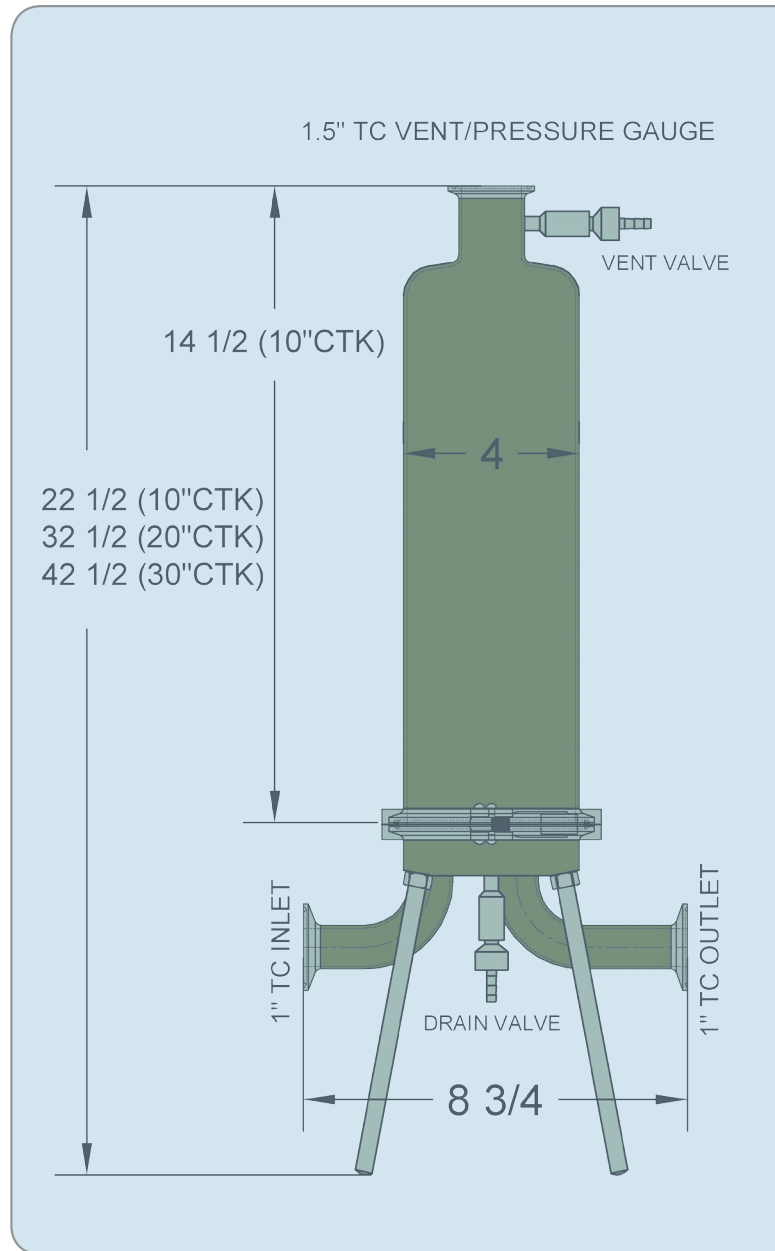


## ORDERING INFORMATION

Example:

<b>Series</b>	SRCT - Sanitary Cartridge Vessel	<b>SRCT</b>
<b>Number of Elements</b>	1RND - 1" round filter	<b>1RND</b>
<b>Element Length</b>	10 - 10" 20 - 20" 30 - 30"	<b>20</b>
<b>Connections</b>	1TC - 1" Tri-clover	<b>1TC</b>
<b>Material of Construction</b>	B - 304 Stainless Steel C - 316 Stainless Steel	<b>B</b>
<b>End Cap Configuration</b>	C6 - Flat/226 C7 - Fin/226	<b>C6</b>

SRCT1RND201TCB6



# SRVC MULTI

## STRAINRITE VALUE DESIGN CARTRIDGE VESSELS

15.0

The SRVC Value Design Multi-Cartridge vessels provide economical filtration of a wide variety of liquids in a lightweight, externally polished stainless steel design, with features including a swing bolt secured, quick opening cover and an internal positive pressure cartridge alignment and sealing plate. The SRVC vessels accommodate either 30" or 40" long, double open end (DOE) or 222 single open end (SOE) filter cartridges. These vessels are manufactured from polished and passivated 304 stainless steel and rated for 150 psi (10.3 bar). For added corrosion resistance, all cover bolt and leg mounting hardware is made from stainless steel as well.



SRVC-B5-302E

### FEATURES & BENEFITS

- Single O-ring design closure assures quick, positive cover sealing
- Swing bolts for fast and easy opening and closing of cover
- Non-ASME code design
- Standard features include vent and drain connections
- Convertible design allows for use of both DOE and SOE cartridges
- EPDM seals are standard with other material options available
- Swing bolted o-ring closure seal provides quick and positive seal and easy access to the vessel interior and filter cartridges
- Both FNPT threaded and ANSI B16.5 flanged connections are available in specific models
- Standard threaded FNPT vent & drains
- Standard stainless steel cartridge support and sealing hardware
- Polished exterior and pickle passivate interior / exterior for enhanced corrosion resistance



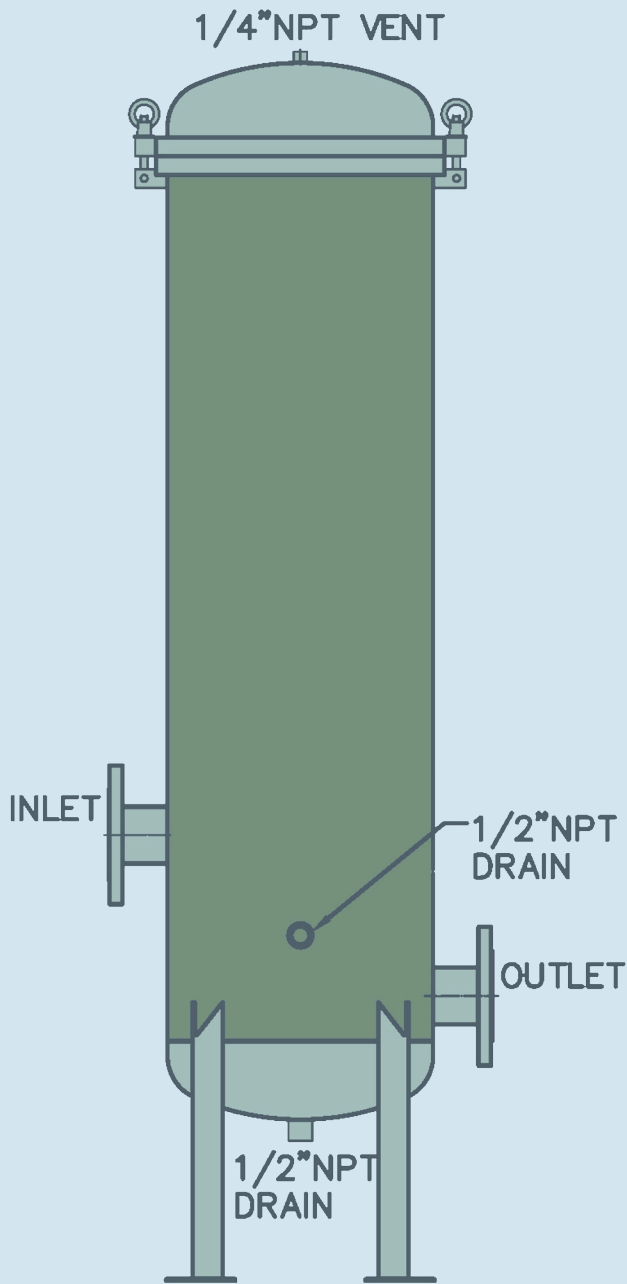
# 304 Stainless Steel Cartridge Vessel

## SPECIFICATIONS

Max. Allowable Pressure	150 psi (10.3 bar)
Max. Allowable Temperature	400°F (204°C)

## APPLICATIONS

- Potable Water
- Lubricants
- Process Water
- Coolants
- Edible Oils
- Cutting oils
- Coatings
- Solvents



## ORDERING INFORMATION

Example:

<b>Series</b>	SRVC - Strainrite Value Design Cartridge Vessel	SRVC
<b>Material</b>	B - 304 Stainless Steel	-B
<b>Number of Filter Cartridges</b>	<b>Element Availability</b>	<b>Inlet/Outlet Availability</b>
	5 20, 30, 40	2F- 2"RFF
	7 30, 40	2F- 2"RFF
	11 30, 40	3F- 3"RFF
	19 30, 40	4F- 4"RFF
<b>O-ring Material</b>	B - Buna N E - EPDM V - Fluorocarbon	E

SRVC-B5-302E ←

The Strainrite Companies is known for developing some of the industry's most advanced designed hybrid cartridge elements on the market. These high efficiency filter elements require a vessel that has a hermetically sealed top to fully capture all of the filters capabilities. The **SRC** is perfectly positioned to handle standard cartridges and absolute rated filters.

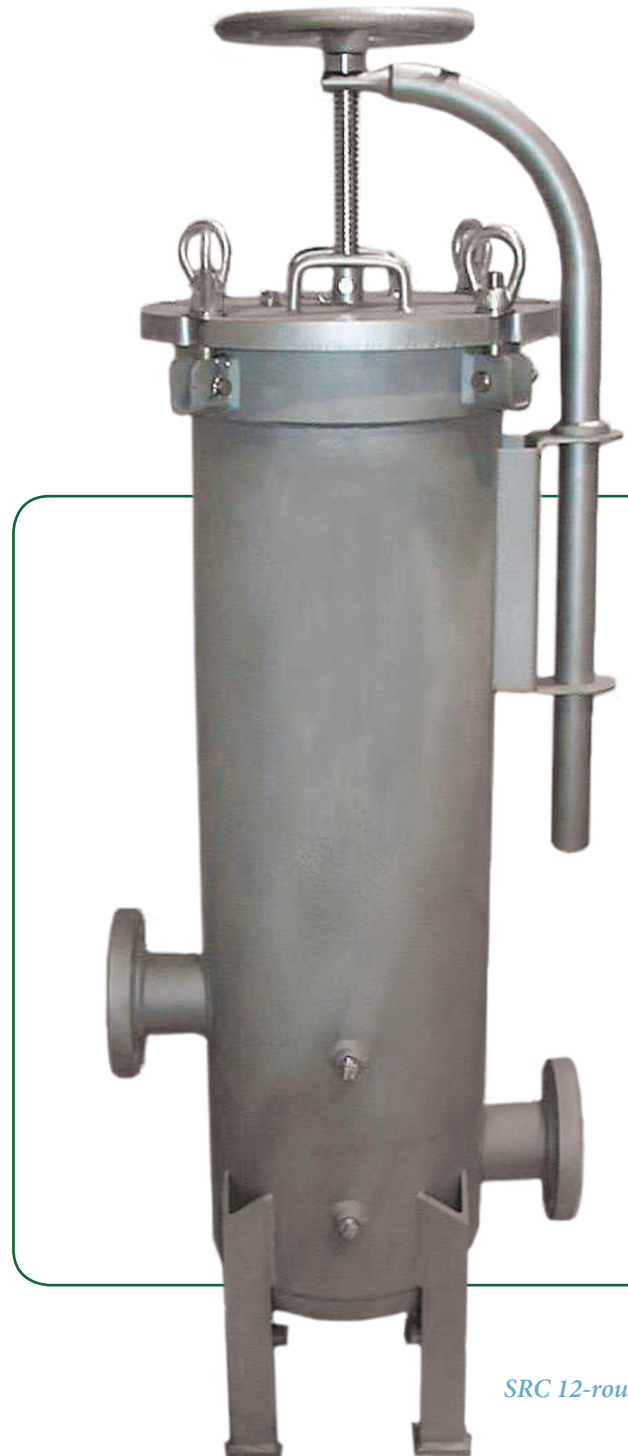
The Strainrite Companies' **SRC**, with a radial seal, has a machined surface that produces a positive seal to eliminate bypass. The **SRC** vessel line is raising the bar in the OEM market by delivering superior value in a cost-effective design.

### STANDARD DESIGN

- 2" NPT & RFF inlet and outlet connections
- ¼" NPT vent port in lid
- 150 PSI design pressure
- O-ring sealed cover

### OPTIONAL FEATURES

- 3" NPT or RFF connections
- Eye nut closure system



*SRC 12-round*

# The Advanced Industrial Duty Cartridge Housing



## ORDERING INFORMATION

Example:

<b>Series</b>	SRC - Strainrite Industrial Duty Cartridge Vessel	SRC
<b>Material</b>	I-B - 304 Stainless Steel	I-B
<b>Number of Cartridges</b>	4, 5, 7, 12, 22, 36	4
<b>Element Length</b>	10 20 30 40	-20
<b>Inlet/Outlet</b>	2 - 2" NPT 2F - 2" RFF 3 - 3" NPT 3F - 3" RFF 4F - 4" RFF 6F - 6" RFF	2
<b>O-ring Material</b>	B - Buna N E - EPDM V - Fluorocarbon	B

SRCI-B4-202B ←

The SRCT Sanitary Cartridge Filter offers the aesthetics and operational durability of stainless steel at affordable prices. The SRCT's innovative design ensures optimal cleanability in critical areas and can accommodate 20", 30" or 40" filter cartridges. SRCT filters are designed specifically for liquid filtration in the food and beverage industry, offering microbiological safety, corrosion resistance and durability.

## FEATURES AND BENEFITS

- Electropolished finish ensures optimal cleanability in critical areas.
- Maximum Operating pressure 150 psi (67 F).
- Fitted for code 7 filter cartridge.
- Stainless steel legs.
- Sterilization using in-line steam, autoclave or hot water.



*7-Round SRCT*

Holds Multiple  
 226 Style Cartridges



5-Round SRCT

## ORDERING INFORMATION

Example:

<b>Series</b>	SRCT - Sanitary Cartridge Vessel	SRCT
<b>Number of Elements</b>	5RND - 5 round cartridge filters 7RND - 7 round cartridge filters 11RND - 11 round cartridge filters	5RND
<b>Element Length</b>	*20 - 20" 30 - 30" 40 - 40"	20
<b>Inlet/Outlet Connections</b>	2TC - 2" Tri-clover	2TC
<b>Material of Construction</b>	B - 304 Stainless Steel C - 316 Stainless Steel	B
<b>End Cap Configuration</b>	C6 - Flat/226 C7 - Fin/226	C6

\*20" length available only in 5-round style

SRCT5RND202TCBC6

# SMF & HSMF

STRAINRITE MAXX FLOW  
& MAXX TRAP VESSELS

18.0

## SMF MEASUREMENTS

Unit Type	Number of Baskets	Standard Connection	A Overall Height	B Height to Opening	C Inlet to Outlet	D Diameter
<i>All measurements are approximate</i>						
SMF120	1	2" RFF	39"	36"*	32"	8.625"
SMF140	1	2" RFF	59"	56"*	52"	8.625"
SMF340	3	4" RFF	74"	56"	28"	18"
SMF640	6	6" RFF	74"	57"	28"	24"
SMF940	9	8" RFF	78"	59"	26"	30"
SMF1340	13	10" RFF	84"	64"	24"	36"

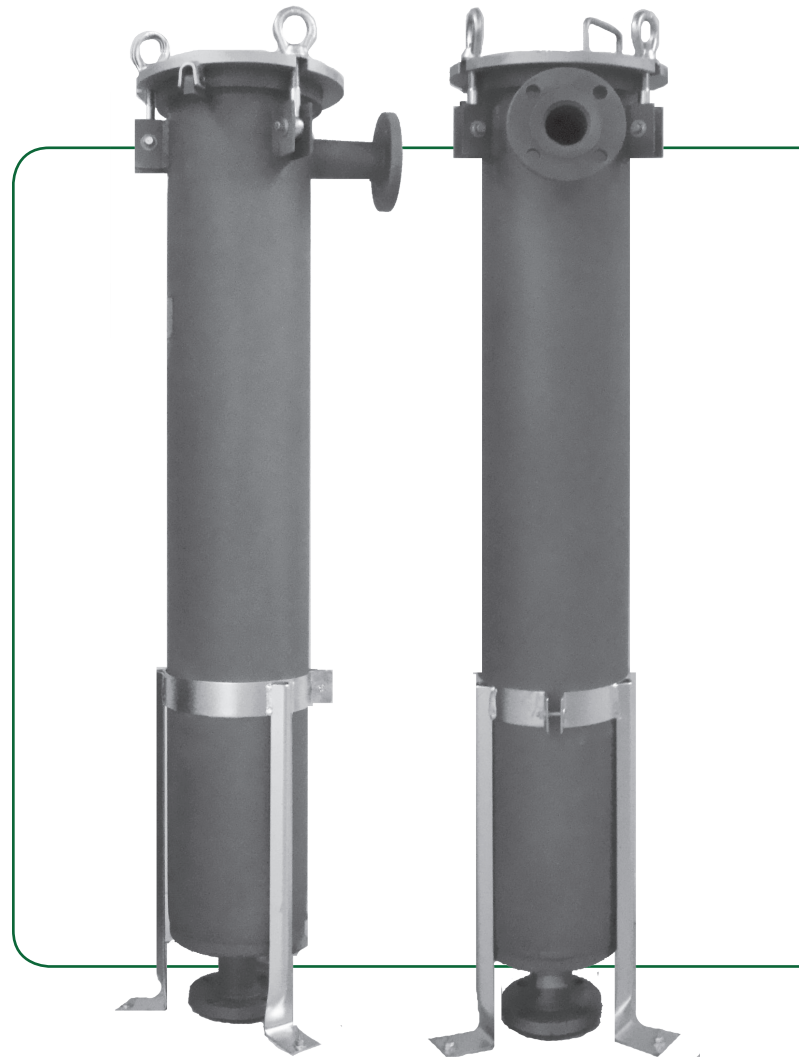
\*The vessel itself can be raised or lowered on the support legs.

## ORDERING INFORMATION

Example:

<b>Series</b>	SMF - Strainrite Maxx Flow	SMF
<b>Number of Elements</b>	1 - 1 filter 3 - 3 filters 6 - 6 filters 9 - 9 filters 13 - 13 filters 18 - 18 filters	3
<b>Element Length</b>	20 - 20" 40 - 40" 60 - 60"	60
<b>Inlet/Outlet</b>	2 - 2" NPT 2F - 2" RFF 3 - 3" NPT 3F - 3" RFF 4 - 4" RFF 6 - 6" RFF 8 - 8" RFF 10 - 10" RFF 12 - 12" RFF	2
<b>Material of Construction</b>	A - Carbon Steel B - 304 Stainless Steel C - 316 Stainless Steel	A
<b>O-ring Material</b>	B - Buna N E - EPDM V - Fluorocarbon	B
<b>Options</b>	U - ASME Code U Stamp UM - ASME Code UM Stamp (Only available on single vessels) BIBO - Bottom-in Bottom-out	C6

SMF3602ABC6



## HSMF MEASUREMENTS

Unit Type	Number of Baskets	Standard Connection	A Overall Height <i>All measurements are approximate</i>	B Height to Opening	D Diameter
HSMF140   160	1	2" RFF	48"   48"	63"   83"	8.6"
HSMF340   360	3	4" RFF	48"   48"	75"   95"	18"
HSMF740   760	7	6" RFF	48"   48"	79"   99"	24"
HSMF1040   1060	10	8" RFF	48"   48"	85"   105"	30"
HSMF1340   1360	13	10" RFF	48"   48"	95"   155"	36"

\*The vessel itself can be raised or lowered on the support legs.

The SMF and HSMF line of filter vessels are designed to accommodate our Maxx Flow and Maxx Trap large diameter pleated filters. These heavy duty vessels are engineered to handle your most demanding applications and can be supplied as either ASME code for aggressive chemical applications or Non code for more general industry requirements. Both the single and multi-filter 40" length vessels are offered in vertical (SMF) or horizontal (HSMF) configurations where the 60" vessels are standard in the horizontal (HSMF) configuration. All retainer baskets are welded in place in our standard designs.

## FEATURES AND BENEFITS

- Welded in baskets that eliminate bypass potential between basket and housing
- Optional removable baskets for clean in place operations
- High flow rates with low pressure drops
- Positive cover seal
- 150 PSI design pressure
- Swing bolt closure for quick change outs
- Inside/out flow direction that traps contaminants inside the element
- ASME Code stamp available
- Adjustable height tripod stand

## ORDERING INFORMATION

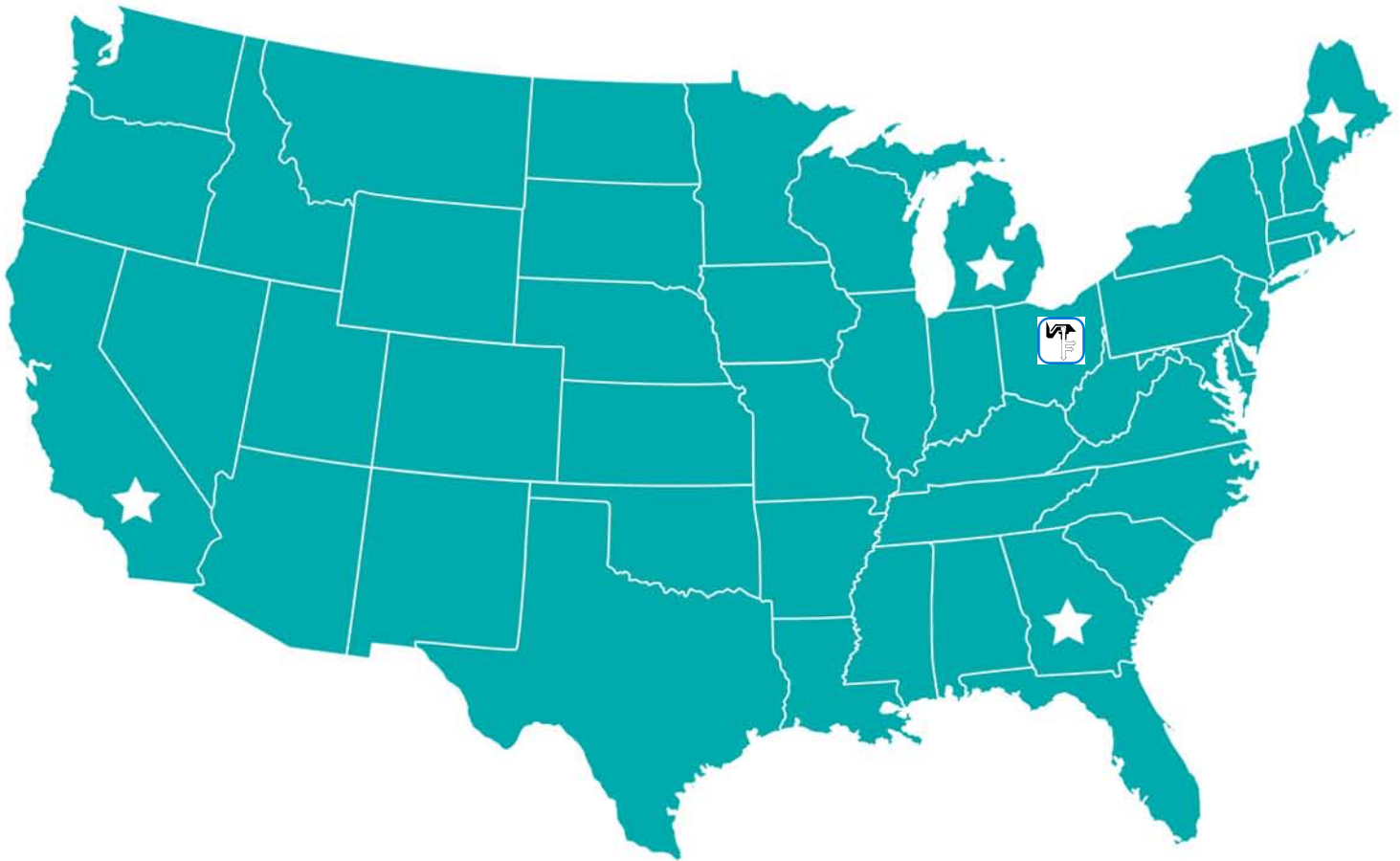
Example:		
Series	HSMF - Horizontal Strainrite Maxx Flow	HSMF
Number of Elements	1 - 1 filter 3 - 3 filters 7 - 7 filters 10 - 10 filters 13 - 13 filters	3
Element Length	40 - 40" 60 - 60"	60
Inlet/Outlet	2 - 2" NPT 2F - 2" RFF 3 - 3" NPT 3F - 3" RFF 4 - 4" RFF 6 - 6" RFF 8 - 8" RFF 10 - 10" RFF 12 - 12" RFF	2
Material of Construction	A - Carbon Steel B - 304 Stainless Steel	A
O-ring Material	B - Buna N E - EPDM V - Fluorocarbon	B
Options	U - ASME Code U Stamp UM - ASME Code UM Stamp (Only available on single vessels) BIBO - Bottom-in Bottom-out	C6

HSMF3602ABC6



# STRAINRITE

## Service and Warehouse Locations



Offering superior technical sales and live customer support.



**Northeast Filter & Equipment Co.**  
135 Parker Court  
Chardon, OH 44024  
PH: 800-333-6332  
FX: 440-285-0730  
[www.nefilter.com](http://www.nefilter.com)